

We have pleasure in presenting the Spare Parts Catalogue for 'Pulsar 220cc DTS-Fi' Motorcycle. This catalogue has been specially designed to assist you in selecting the correct parts for procurement to maintain 100% availability.

The Bajaj spares are subjected to the stringent quality control standards to ensure longer life of the vehicle. It is therefore necessary that only the Genuine Bajaj Spares are used.

In a continual effort to improve Performance and Efficiency of the vehicles, Specifications, Diagrams, Illustrations and Part Numbers can change without notice. Consequently, the description in this Spare Parts Catalogue cannot therefore be final and binding on us.

The modifications / alterations which are carried out after the issue of this catalogue, will be conveyed to you through our Service Circulars. You are requested to make necessary corrections in the Parts Catalogue as per the circulars so as to keep your catalogue up-to-date. This will ensure the appropriate and speedy delivery of the Spare Parts as the order placed will bear the latest part numbers.

In case, if you need any technical assistance contact the concerned Regional Office or write to us on the following address :

**Bajaj Auto Limited**  
**Service Department**

Akurdi, Pune 411 035 India

Phone : 020-27406817

n

All information contained in this manual is based on the latest product information at the time of publication. Bajaj Auto Limited accepts no liability for any inaccuracies or omissions in this publication, although every possible care has been taken to make it as complete and accurate as possible. All procedures and specifications subject to change without prior notice. The right is reserved to make such changes at any time without prior notice and without incurring an obligation to make such changes to product manufactured previously. Contact your authorized Bajaj Dealer for the latest information on product improvements incorporated after this manual was issued.

**DOC. NO.: 71110882**

**REV. 00 JUN. 09**

- 1. How to Read the Catalogue :** Open the catalogue and from the pictorial index locate the group in which the part you want to find is present. Turn over to the concerned page number (as given by pictorial index). Now find out the figure of the part you wish to order. Write down the part number against that particular figure number from the text.

In case, if you have the part number and you need the other details, the part index can be used. The part index (at the end of the catalogue) will give you the figure and page number of the part you wish to order.

- 2. How to Order Spare Parts :** The part number and the description of the part required should be invariably mentioned in the order as per the catalogue text.

The latest part number as conveyed through our service circulars should only appear on the order. In case of ordering painted components, colour shade of the components should be mentioned.

The quantity shown against the part number is the quantity per vehicle for that group so that particular quantity should be multiplied by the number of sets required.

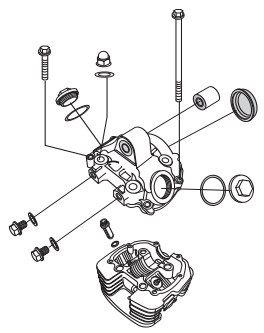
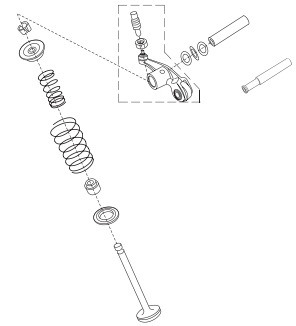
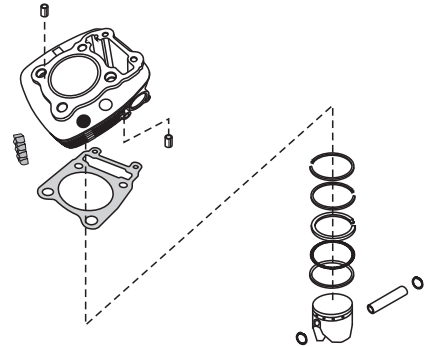
- 3. Part Number System:** We have used 8 digit system for part numbers. The model or hardware item is indicated by first two digits or alphanumeric, the next two or four digits indicate main group and the last four or two digits indicate serial number in main group or serial number or subgroup of fastener respectively. Thus the part numbers will be indicated by 2-2-4 or 2-4-2 digit system. Understanding this system will enable you to identify the spare parts easily.

- 4. Abbreviations :** The following abbreviations are used in this catalogue.

assly.	Assembly	V	Volts
N.I.	Not illustrated	W	Watts
C'case	Crankcase	accl.	Accelerator
Cyl	Cylinder	Comp.	Complete
o/s.	Over size	Fr	Front
Std.	Standard	L	Length
A/t.	Alternate	Rr	Rear
R.H.	Right hand	Hex.	Hexagonal
L.H.	Left hand	AR	As required

No.	Description	Page No.
1	Cover Cylinder Head	1
2	Cylinder Head	2
3	Valve	3
4	Camshaft / Tensioner	4
5	Cylinder & Piston	5
6	Crankshaft	6
7	Balancer & Balancer Idler Gear	7
8	Transmission	8&9
9	Change Drum/ Shift Fork	10
10	Gear Change Mechanism	11
11	Engine Assly & Crankcase RH	12
12	Crankcase LH	13&14
13	Cover RH	15&16
14	Cover Magneto	17
15	Clutch	18&19
16	Injection & throttle body	20
17	Oil collar	21
18	Air Cleaner Comp.	22
19	Silencer Assly	23
20	Seat Assly. / Seat Lock	24
21	Oil Pump	25
22	Magneto/C.D.I./H.T.Coil	26&27
23	Starter Assly (For Self Start)	28
24	Engine Mountings	29
25	Frame & Frame fitting	30
26	Swing Arm / Rear Shock Absorber	31
27	Rider Foot rest	32
28	Pillion Foot rest / Holder	33
29	Mudguard Front & Rear	34
30	Stand Assembly	35
31	Tyre/ Tube /Rim	36
32	Front Hub	37
33	Front Master Cylinder	38
34	Front Disc Brake	39

No.	Description	Page No.
35	Rear Hub	40&41
36	Rear Disc Brake	42
37	Rear Brake Pedal	43
38	Handle Bar	44&45
39	Front Fork	46&47
40	Painted Parts & Decals	48&49
41	Petrol Cock, Cap Tank & Gauge Fuel	50&51
42	Fitting - Petrol Tank, Side Cover & Cover seat	52
43	Meter Assly.	53
44	Control Cables	54
45	Chain Case	55
46	Head Lamp & Fairing	56
47	Indicator Light Assly.	57
48	Fearing & Mounting	58&59
49	Tail Lamp Assly/Front & Rear No. Plate	60
50	Electrical Equipments	61&62
51	Tool Kit	63
52	Accessories / Grab Handle Kits List	64
	Amendment Sheet(Parts Added)	65&66
	Amendment Sheet(Parts Deleted)	67
	Part Index	68
		69

<p>PLATE NO. : 1 COVER CYLINDER HEAD</p>	<p>PAGE NO.: 1</p>
	
<p>PLATE NO. : 3 VALVE</p>	<p>PAGE NO.: 3</p>
	
<p>PLATE NO. : 5 CYLINDER AND PISTON</p>	<p>PAGE NO.: 5</p>
	

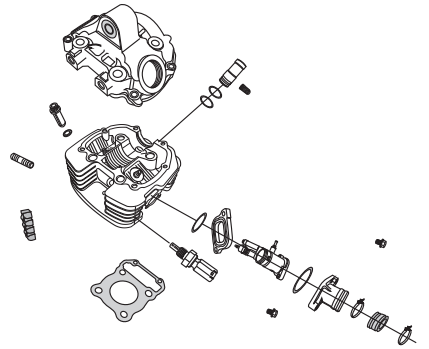
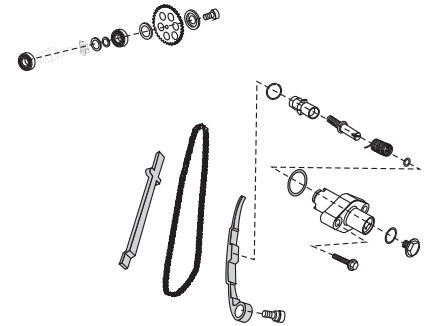
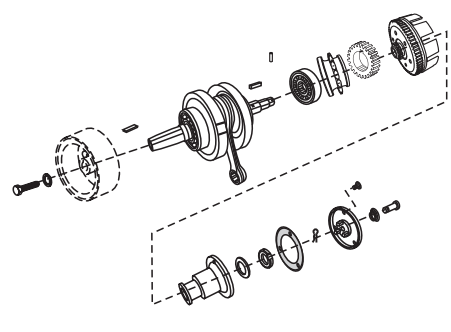
<p>PLATE NO. : 2 CYLINDER HEAD</p>	<p>PAGE NO.: 2</p>
	
<p>PLATE NO. : 4 CAMSHAFT / TENSIONER</p>	<p>PAGE NO.: 4</p>
	
<p>PLATE NO. : 6 CARNKSHAFT</p>	<p>PAGE NO.: 6</p>
	

PLATE NO. : 7 BALANCER AND BALANCER IDLER GEAR	PAGE NO.: 7
--	----------------

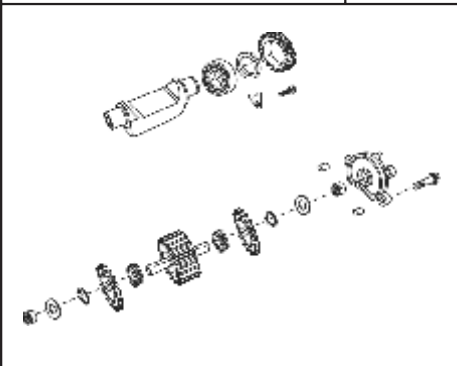


PLATE NO. : 9 CHANGE DRUM / SHIFT FORK	PAGE NO.: 10
---	-----------------

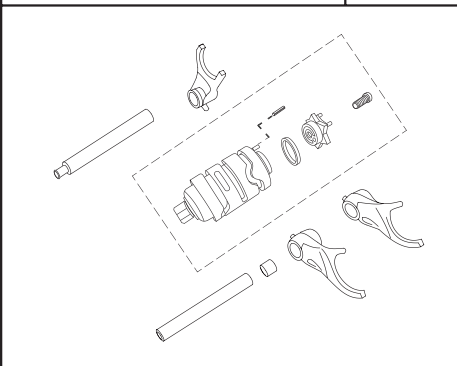


PLATE NO. : 11 ENGINE ASSLY. & CRANKCASE RH	PAGE NO.: 12
--	-----------------

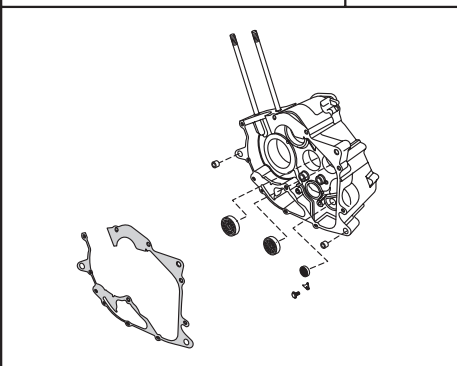


PLATE NO. : 8 TRANSMISSION	PAGE NO.: 8 & 9
-------------------------------	--------------------

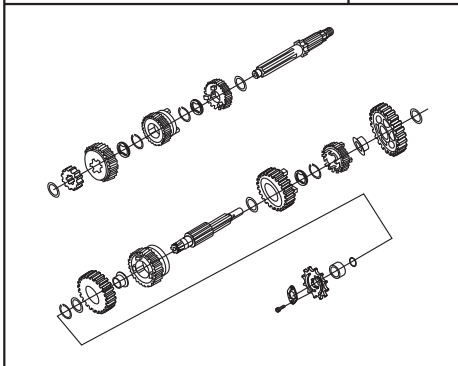


PLATE NO. : 10 GEAR CHANGE MECHANISM	PAGE NO.: 11
---	-----------------

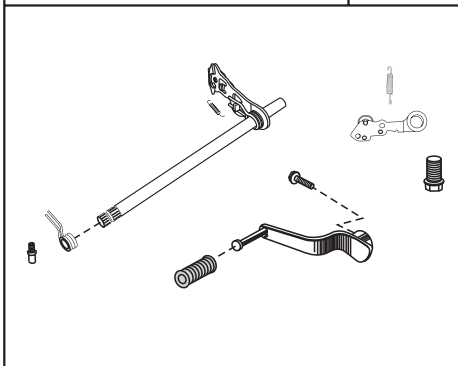


PLATE NO. : 12 CRANKCASE LH	PAGE NO.: 13 & 14
--------------------------------	----------------------

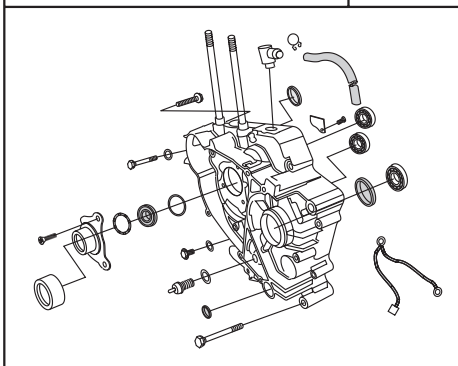


PLATE NO. : 13 COVER RH	PAGE NO.: 15 & 16
----------------------------	----------------------

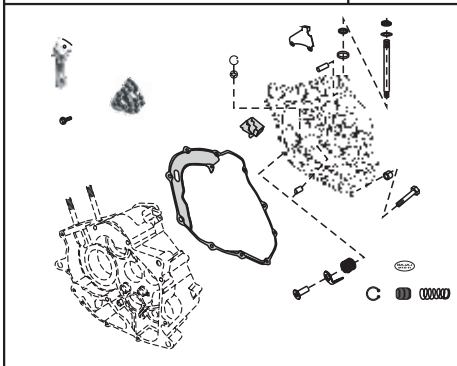


PLATE NO. : 15 CLUTCH	PAGE NO.: 18 & 19
--------------------------	----------------------

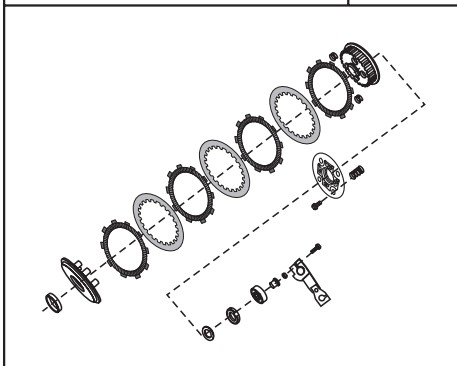


PLATE NO. : 17 OIL COOLER ASSLY.	PAGE NO.: 21
-------------------------------------	-----------------

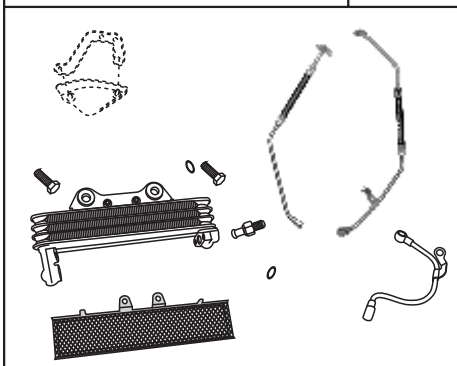


PLATE NO. : 14 COVER MAGNETO	PAGE NO.: 17
---------------------------------	-----------------

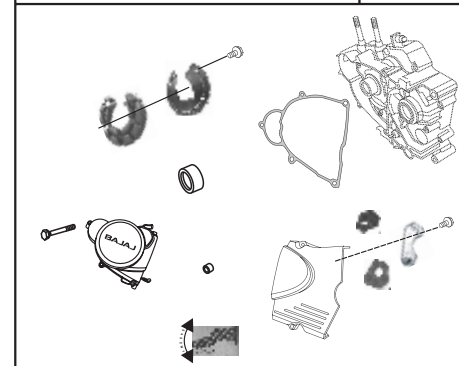


PLATE NO. : 16 INJECTOR / THROTTLE BODY	PAGE NO.: 20
--	-----------------

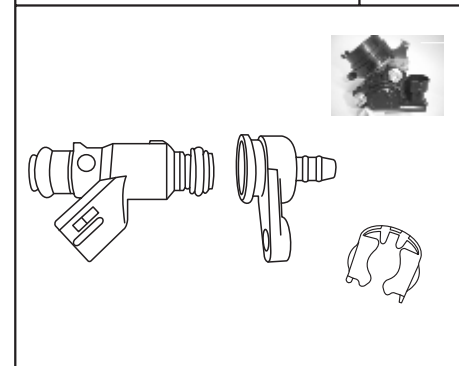


PLATE NO. : 18 AIR CLEANER COMP.	PAGE NO.: 22
-------------------------------------	-----------------

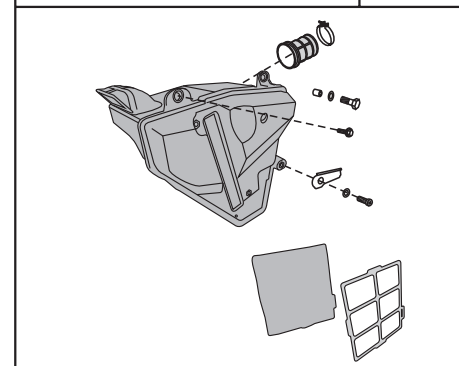


PLATE NO. : 19	PAGE NO.:
SILENCER ASSLY.	23

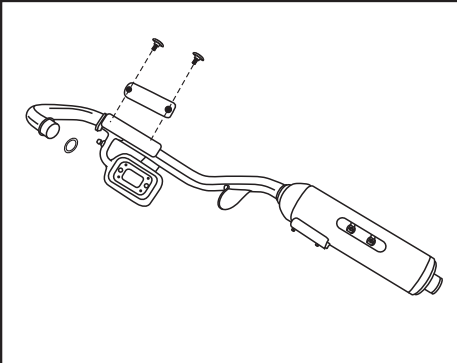


PLATE NO. : 21	PAGE NO.:
OIL PUMP	25

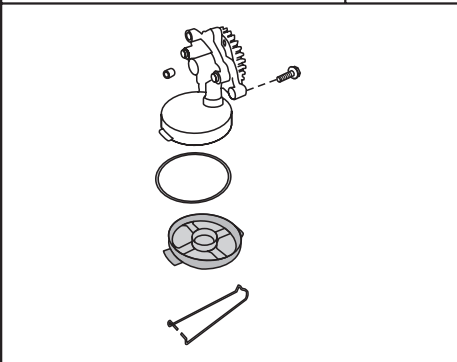


PLATE NO. : 23	PAGE NO.:
STARTER ASSLY.	28

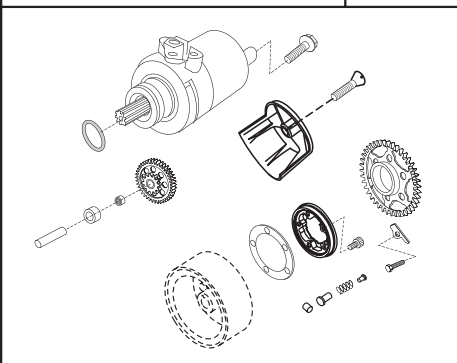


PLATE NO. : 20	PAGE NO.:
SEAT ASSLY. / SEAT LOCK	24

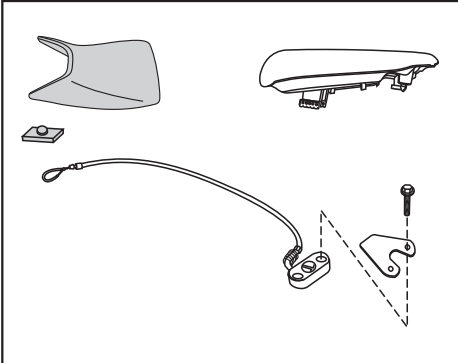


PLATE NO. : 22	PAGE NO.:
MAGNETO / C.D.I./H.T. COIL	26 & 27

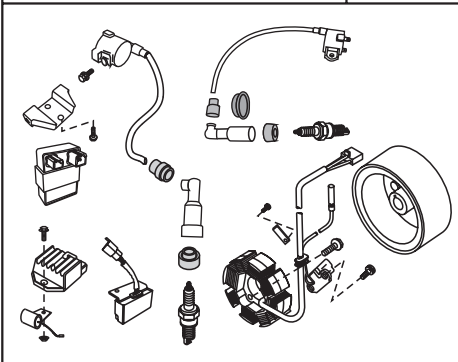


PLATE NO. : 24	PAGE NO.:
ENGINE MOUNTINGS	29

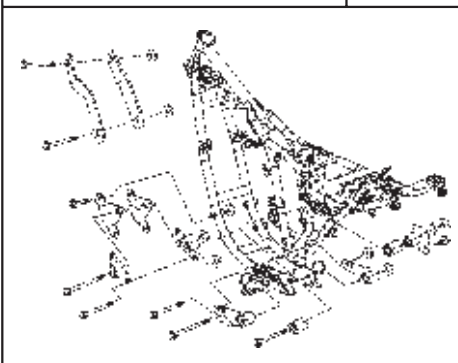


PLATE NO. : 25	PAGE NO.:
FRAME & FRAME FITTINGS	30

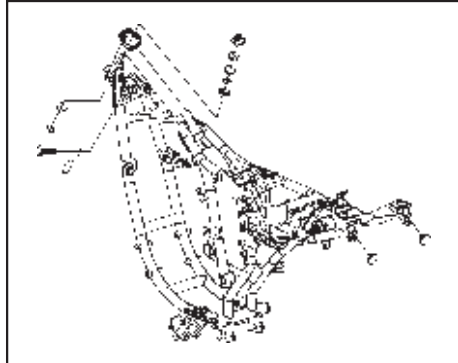


PLATE NO. : 27	PAGE NO.:
RIDDER FOOT REST	32

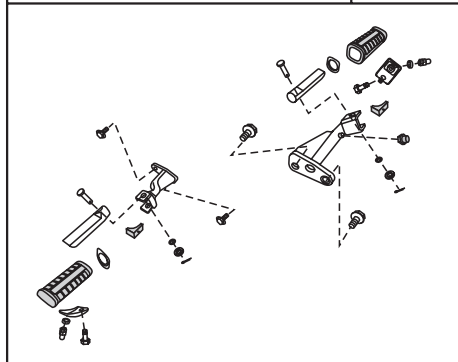


PLATE NO. : 29	PAGE NO.:
MUDGUARD FRONT & REAR	34

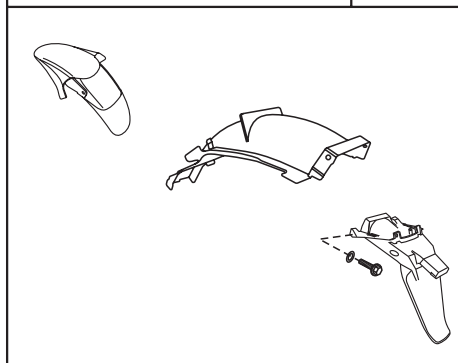


PLATE NO. : 26	PAGE NO.:
SWING ARM / REAR SHOCK ABSORBER	31

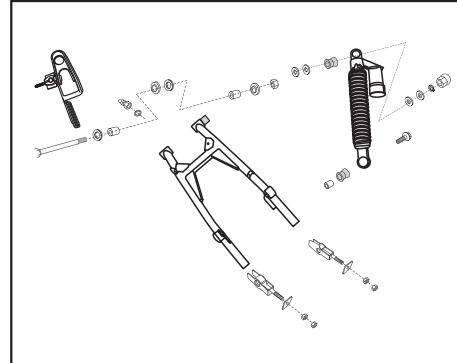


PLATE NO. : 28	PAGE NO.:
PILLION FOOT REST / HOLDER	33

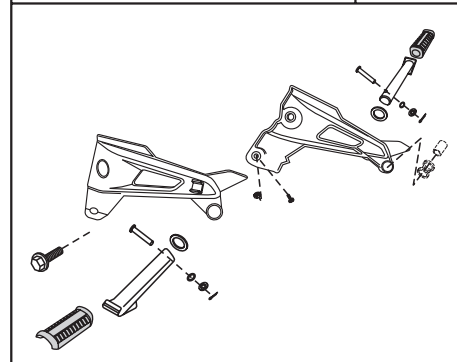


PLATE NO. : 30	PAGE NO.:
STAND ASSLY.	35

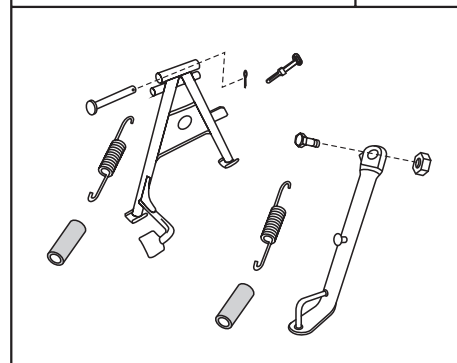


PLATE NO. : 31  
TYRE / TUBE / RIM

PAGE NO.:

36

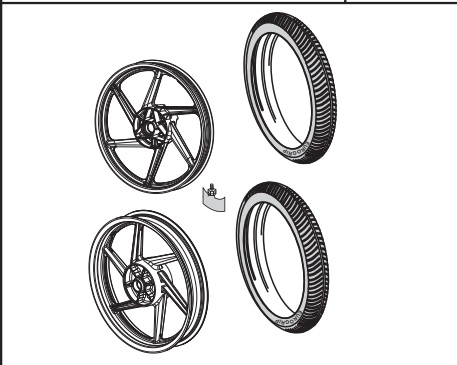


PLATE NO. : 33  
FRONT MASTER CYLINDER

PAGE NO.:

38

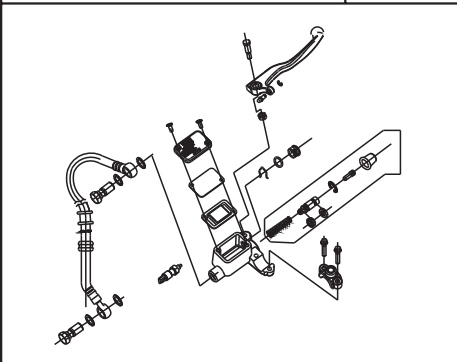


PLATE NO. : 35  
REARER HUB

PAGE NO.:

40 & 41

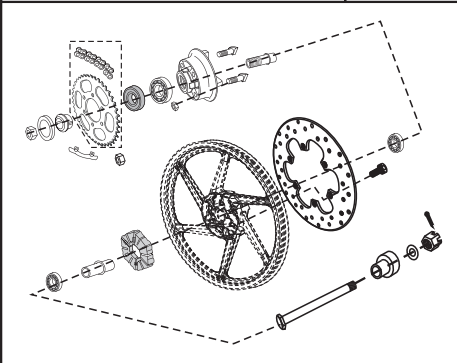


PLATE NO. : 32  
FRONT HUB

PAGE NO.:

37

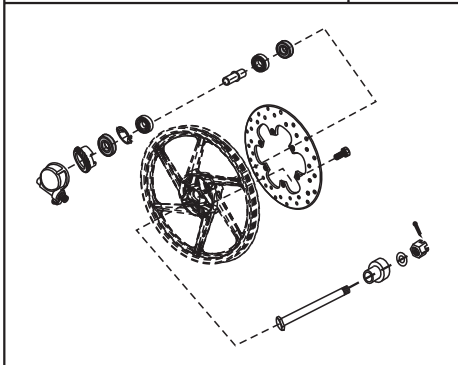


PLATE NO. : 34  
FRONT DISC BRAKE

PAGE NO.:

39

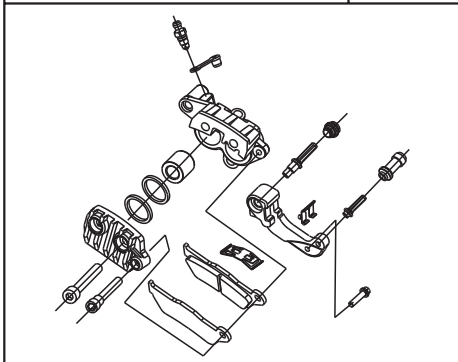


PLATE NO. : 36  
REAR DISC BRAKE

PAGE NO.:

42

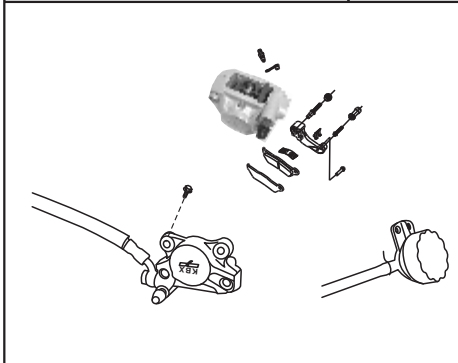


PLATE NO. : 37  
REAR BRAKE PEDAL

PAGE NO.:

43

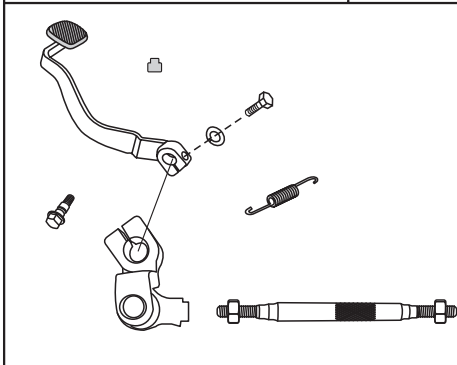


PLATE NO. : 39  
FORK ASSEMBLY

PAGE NO.:

46 & 47

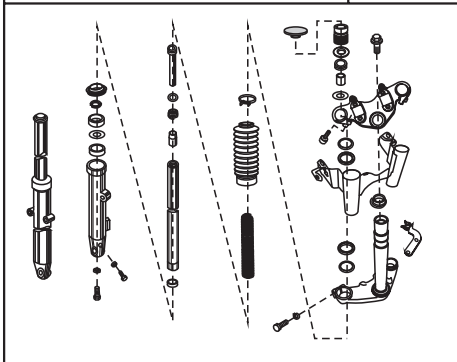


PLATE NO. : 41  
CAP TANK AND GAUGE FUEL

PAGE NO.:

50 & 51

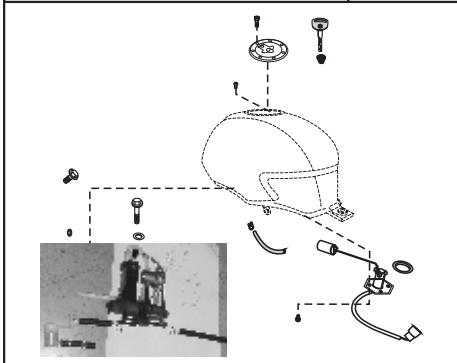


PLATE NO. : 38  
HANDLE BAR

PAGE NO.:

44 & 45

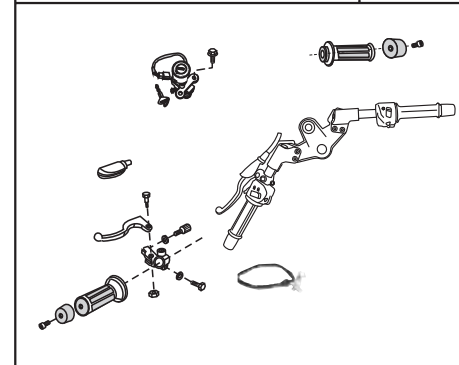


PLATE NO. : 40  
PAINTED PARTS & DECALS

PAGE NO.:

48 & 49

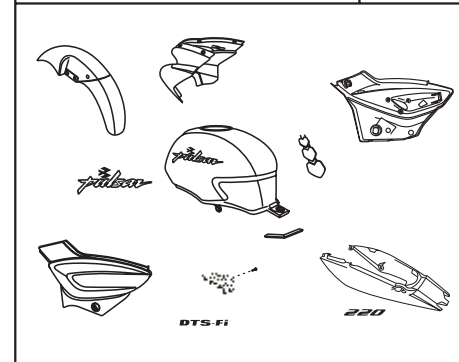


PLATE NO. : 42  
FITTING PETROL TANK, SIDE COVER AND COVER SEAT

PAGE NO.:

52

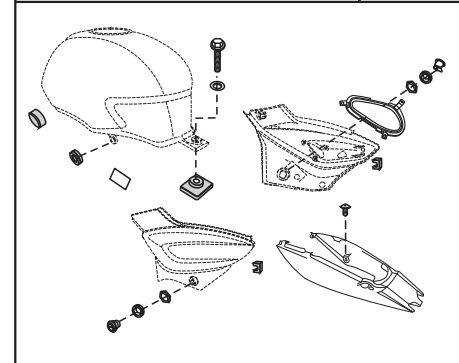


PLATE NO. : 43 METER ASSEMBLY	PAGE NO.: 53
----------------------------------	-----------------

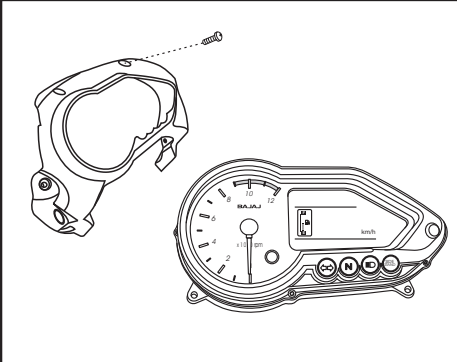


PLATE NO. : 45 CHAIN COVER	PAGE NO.: 55
-------------------------------	-----------------

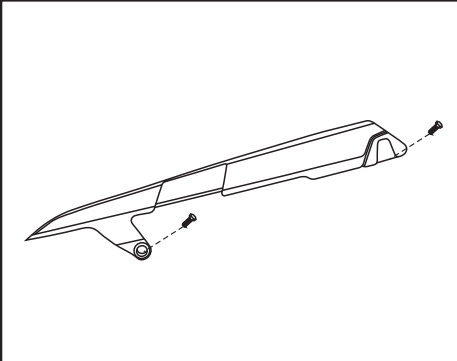


PLATE NO. : 47 INDICATOR LIGHTS ASSLY.	PAGE NO.: 57
---	-----------------

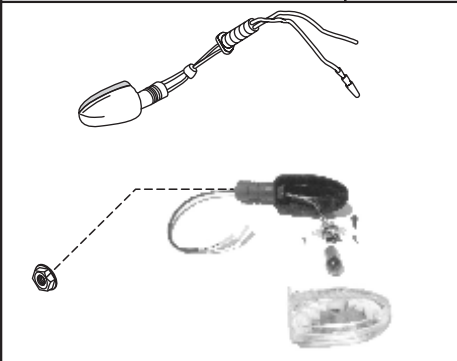


PLATE NO. : 44 CONTROL CABLES	PAGE NO.: 54
----------------------------------	-----------------

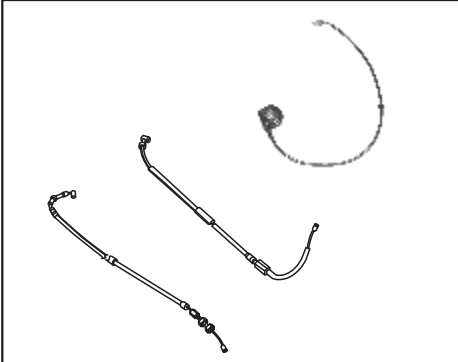


PLATE NO. : 46 HEAD LAMP & FAIRING	PAGE NO.: 56
---------------------------------------	-----------------

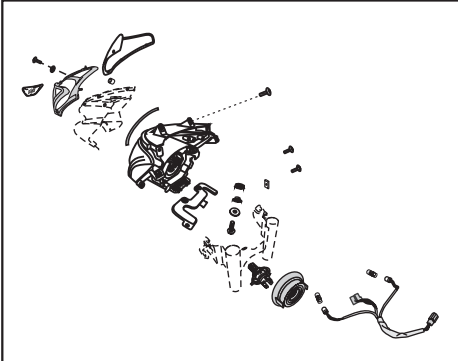


PLATE NO. : 48 FEARING & MOUNTING	PAGE NO.: 58 & 59
--------------------------------------	----------------------



PLATE NO. : 49 TAIL LAMP ASSEMBLY / FRONT & REAR NUMBER PLATE	PAGE NO.: 60
---	-----------------

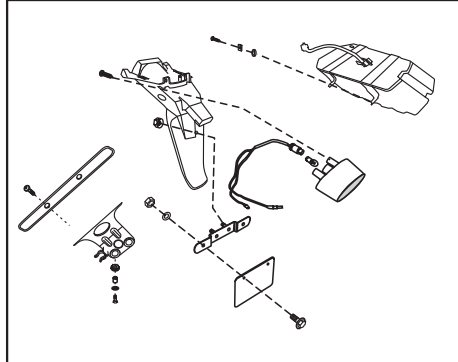


PLATE NO. : 51 TOOL KIT	PAGE NO.: 63
----------------------------	-----------------

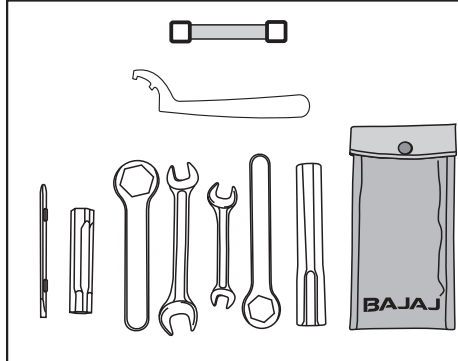


PLATE NO. : 50 ELECTRICAL EQUIPMENTS	PAGE NO.: 61 & 62
---	----------------------

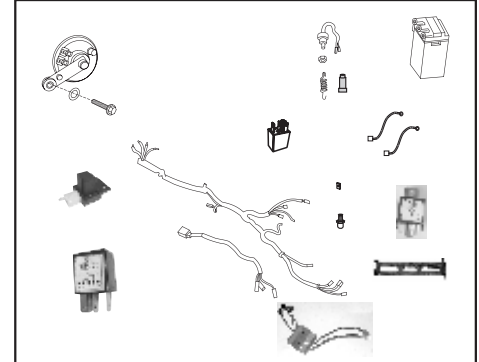
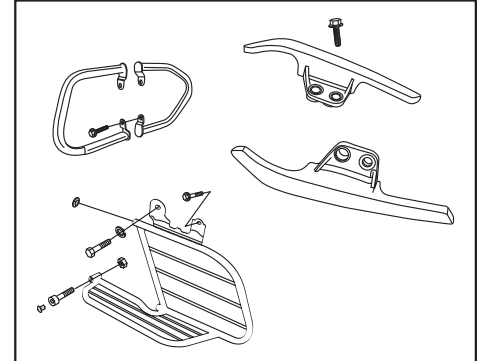
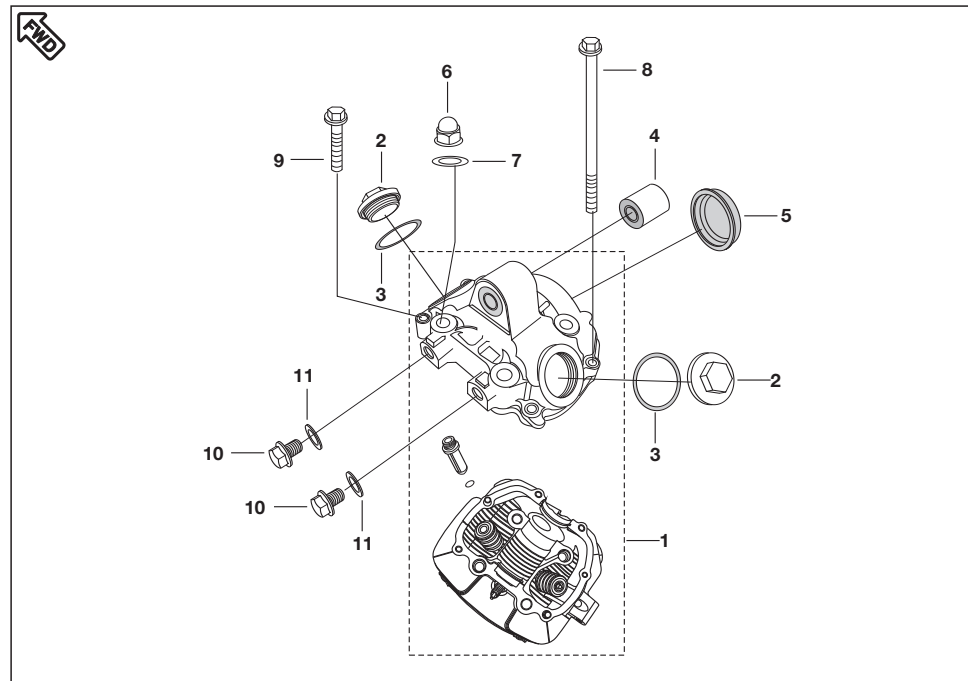
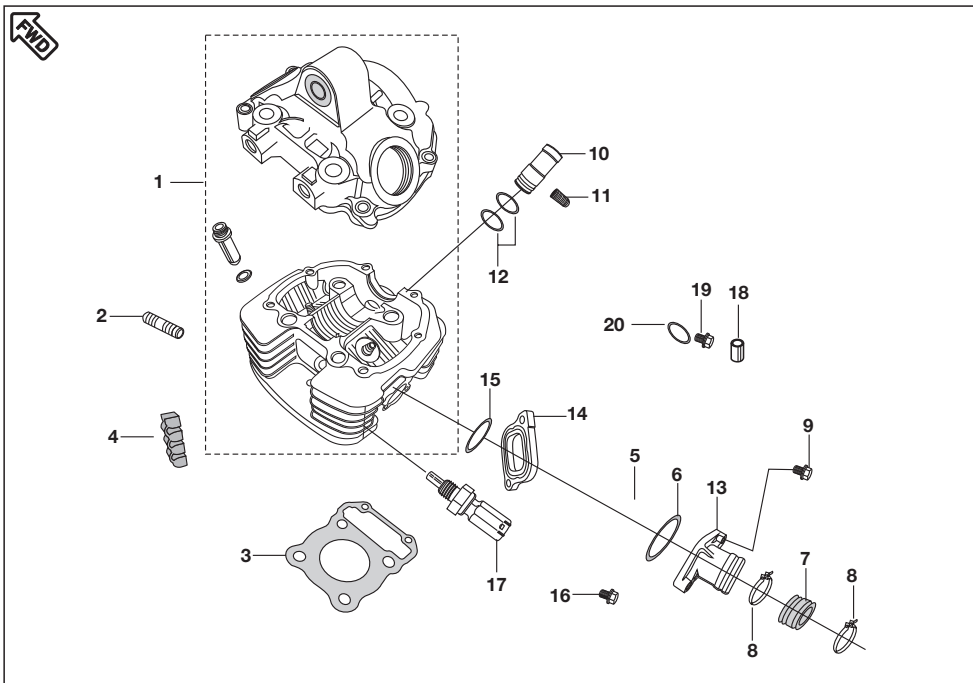


PLATE NO. : 52 ACCESSORIES / GRAB HANDLE	PAGE NO.: 64
---	-----------------

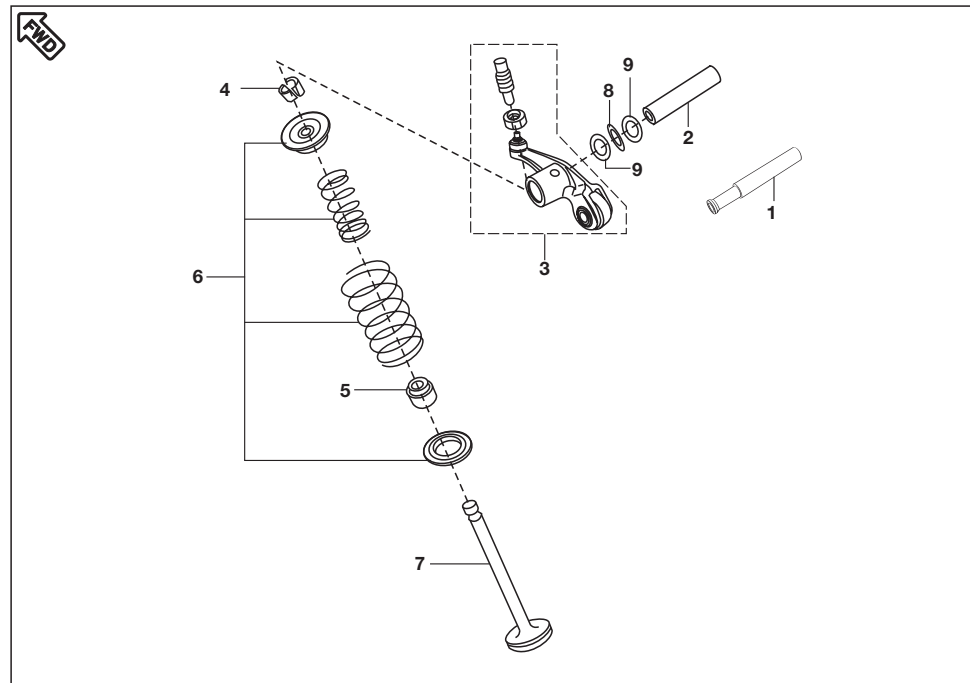




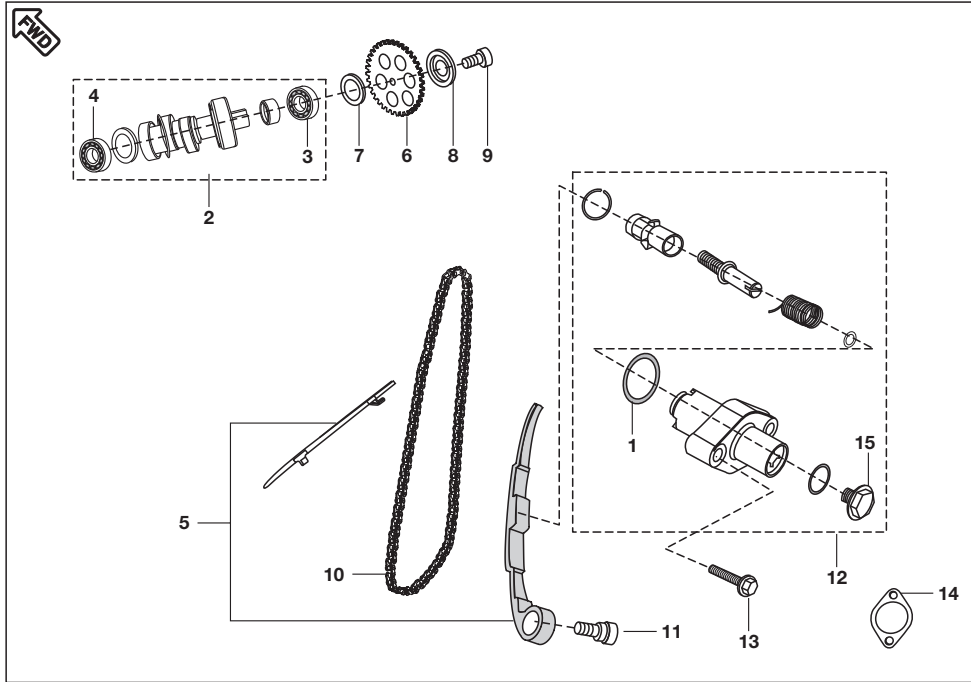
No.	Part No.	Description	Qty/ Veh.	Remarks
1	DK 1016 07	Head Cylinder with Cover	1	Ref. page no. 65
2	DJ 1012 17	Cover Tappet	2	
3	36 DS10 01	'O' Ring Kit for Cover Cyl. Head	1	
4	DS 1011 66	Silent Bush (V)	1	
5	DS 1010 96	Camshaft Cap	1	
6	39 2647 15	Domed Cap Nut	4	
7	DS 1010 84	Copper gasket	4	
8	59 0400 23	Hex. Bolt with Flange	2	
9	39 1075 04	Hex. Bolt with Flange	4	
10	DH 1012 72	Plug	2	
11	31 1011 06	Gasket	2	



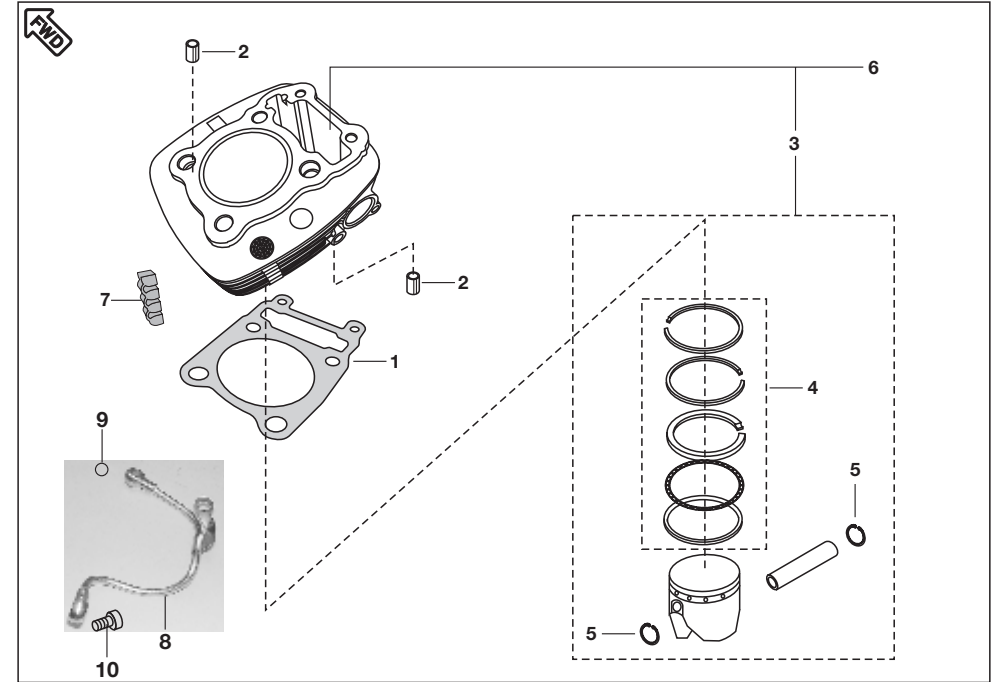
No.	Part No.	Description	Qty/ Veh.	Remarks
1	DK 1016 07	Head Cylinder with Cover	1	
2	39 1660 05	Stud (Exhaust)	2	
3	DK 1010 03	Gasket Cylinder Head	1	
4	DH 1015 08	Damper Cylinder Head	5	
5	DH 1014 07	Intake Pipe	1	
6	39 1283 21	'O' Ring (Intake Pipe)	1	
7	DH 1211 06	Insulator	1	
8	DH 1210 38	Clamp for Insulator	2	
9	39 1674 04	Hex. Bolt / Flange	2	(F)
10	DH 1110 12	Sleeve - Spark Plug	1	
11	39 2608 01	Grub Screw	1	For Sleeve Spark Plug
12	36 DS10 01	'O' Ring Kit for Cover Cyl. Head	1	Ref. page no. 65
13	JC 1200 17	Manifold	1	
14	*****	Insulator	1	
15	59 2100 08	'O' ring insulator	1	
16	39 1075 04	Hex bolt	1	
17	DK 1015 03	Engine temperature sensor	1	
18	39 2181 06	Dowel	2	
19	39 1759 04	Bolt	1	
20	30 1110 41	Washer	1	



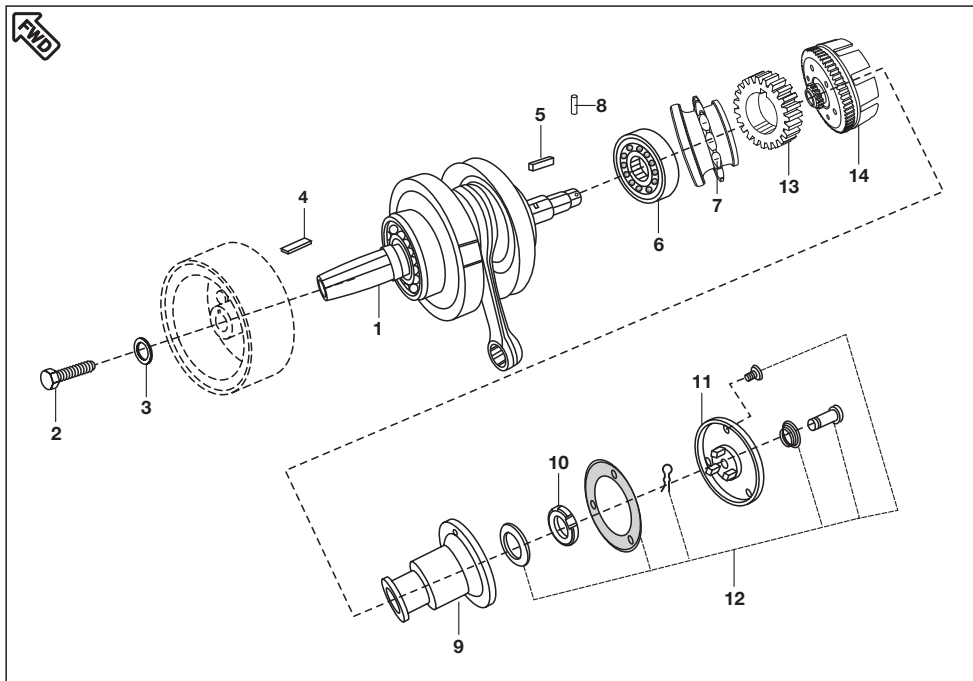
No.	Part No.	Description	Qty/ Veh.	Remarks
1	DS 1013 35	Rocker Arm Shaft - Intake	1	
2	DS 1013 36	Rocker Arm Shaft - Exhaust	1	
3	DS 1013 33	Rocker Arm with roller	2	
4	DG 1010 29	Collet	4	
5	39 2017 19	Seal valve stem	2	
6	DK 1013 26	Valve Repair Kit	1	Ref. page no. 65
7	DK 1013 27	Valve Kit	1	Ref. page no. 65
8	DS 1013 66	Wave washer	2	
9	59 1100 02	Plain washer	4	
10	DU 1010 63	Roller needle	32	



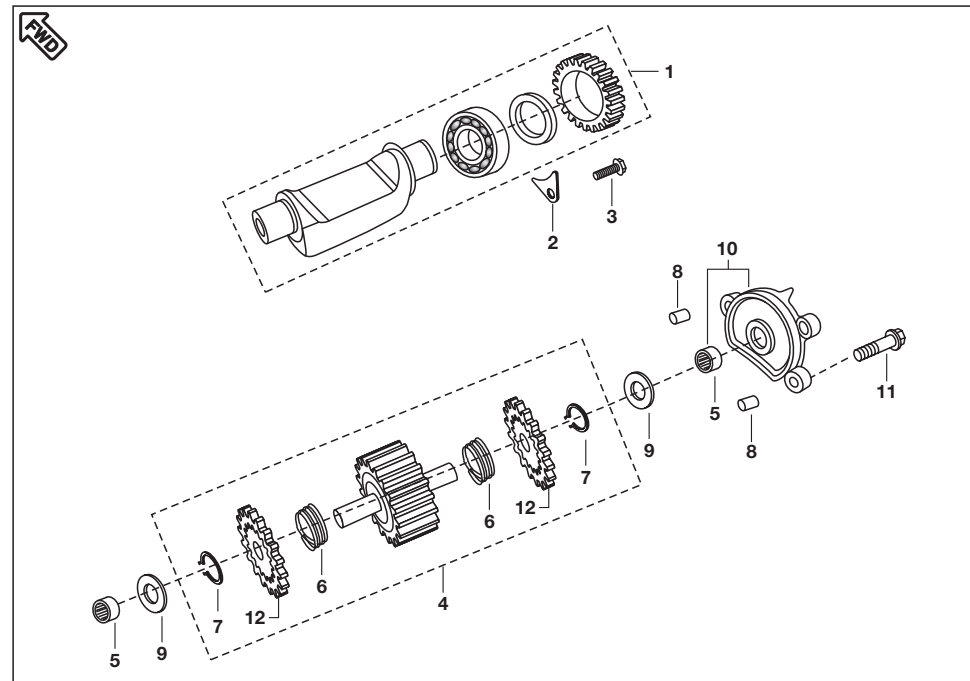
No.	Part No.	Description	Qty/ Veh.	Remarks
1	39 2669 21	Ring 'O'	1	
2	DJ 1013 73	Camshaft Assembly	1	
3	JC 1010 86	Bearing cam RH side	1	
4	JC 1010 85	Bearing cam LH side	1	
5	DK 1013 30	Guide chain Kit	1	Ref. page no. 65
6	DS 1012 76	Sprocket cam Driven (32 T)	1	
7	DH 1014 12	Collar cam Sprocket	1	
8	DH 1010 48	Special camshaft washer	1	
9	DK 1013 86	Hex. Soc. Head cap Bolt	1	
10	DK 1010 64	Cam Chain (100 link)	1	
11	DH 1013 92	Cam chain Tensioner pivot Bolt	1	
12	JC 1010 34	Tensioner Assly	1	
13	39 1673 04	Hex Bolt / Flange	2	
14	CS 1011 28	Tensioner assly. gasket	1	
15	DD 1010 62	Bolt Flange	1	



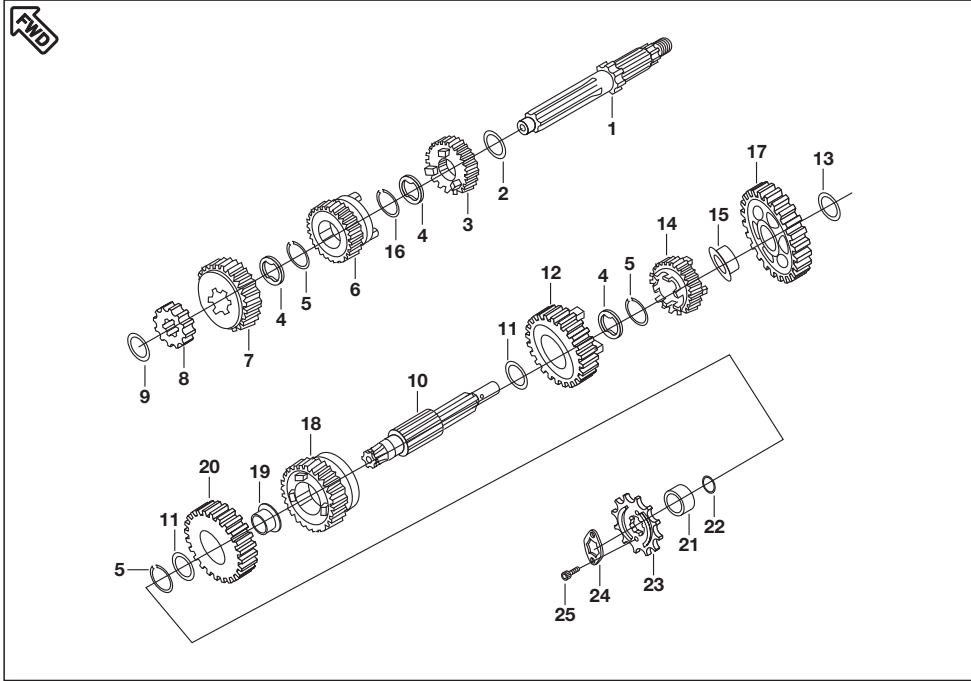
No.	Part No.	Description	Qty/ Veh.	Remarks
1	DK 1010 63	Gasket Cylinder	1	
2	39 2181 06	Pin dowel	4	
3	DK 1010 92	Piston Assly. Std.	1	
4	DK 1013 28	Ring Set Piston	1	Ref. page no. 65
5	39 2132 17	Ring Snap	2	
6	DK 1016 25	Cylinder Block / Piston Assly	1	
7	DH 1014 14	Damper	4	
8	DK 1015 92	Assembly Oil Pipe	1	
9	31 1210 06	Gasket	1	
10	DD 1210 07	Bolt	1	



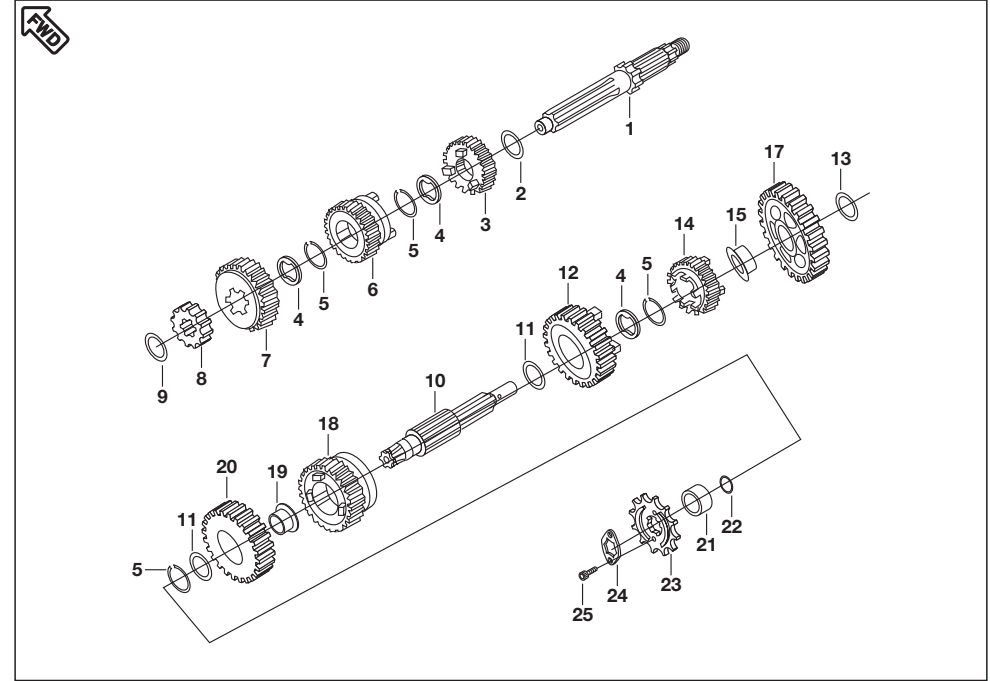
No.	Part No.	Description	Qty/ Veh.	Remarks
1	DK 1010 65	Crankshaft assly. comp.	1	
2	39 2183 04	Bolt primary drive lock	1	
3	39 2165 11	Plain washer	1	
4	31 1011 73	Key woodruff	1	
5	DS 1011 54	Square Key	1	
6	39 1931 20	Bearing Ball	1	
7	DK 101248	Sprocket cam drive (16 T)	1	
8	39 2203 07	Parallel pin	1	
9	DH 1010 64	Body centrifugal oil filter	1	
10	DH 1011 95	Nut	1	
11	DH 1010 65	Cover centrifugal oil filter	1	
12	36 DK00 07	Kit centrifugal oil filter	1	Ref. page no. 65
13	DH 1016 28	Primary Gear Drive	1	
14	DK 1012 41	Housing comp. clutch	1	



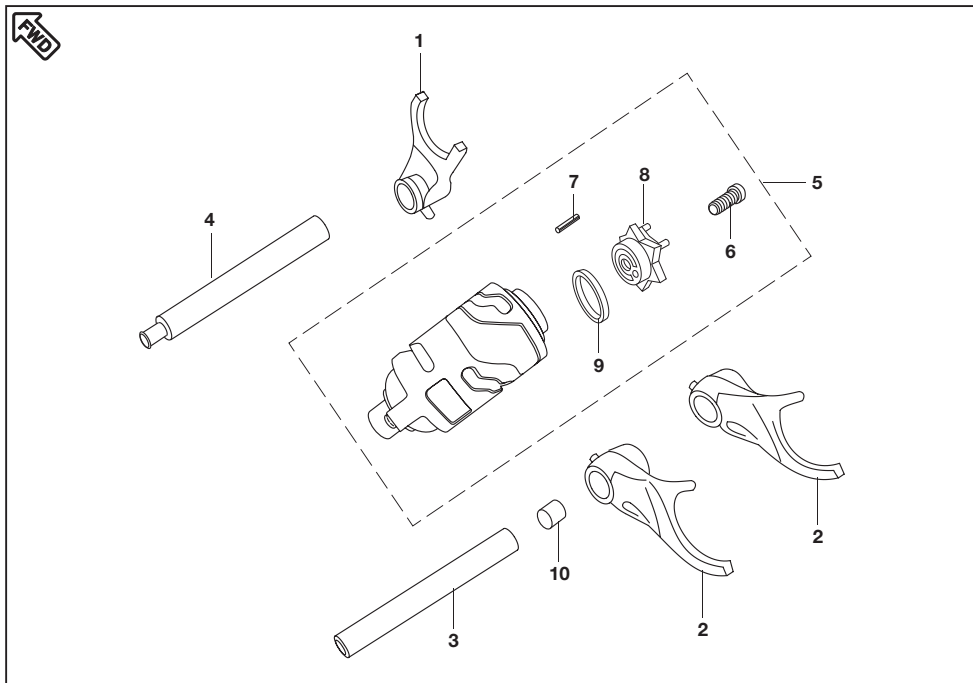
No.	Part No.	Description	Qty/ Veh.	Remarks
1	DK 1014 16	Body Balancer Assly.	1	
2	DH 1010 72	Bearing stopper	1	
3	39 1672 04	Bolt	1	
4	DJ 1011 34	Assly. Balancer Idler Gear comp.	1	
5	39 2152 20	Needle roller bearing	2	
6	DJ 1011 33	Spring torsion Balancer Idler	2	
7	39 2557 17	Circlip ext.	2	
8	39 1686 06	Dowel Pin	2	
9	39 1620 11	Spring steel washer	2	
10	52 DH01 77	Balancer Idler Holder	1	
11	39 1674 04	Hex bolt with flange	3	
12	DH 1013 73	Scissor balancer idler	2	



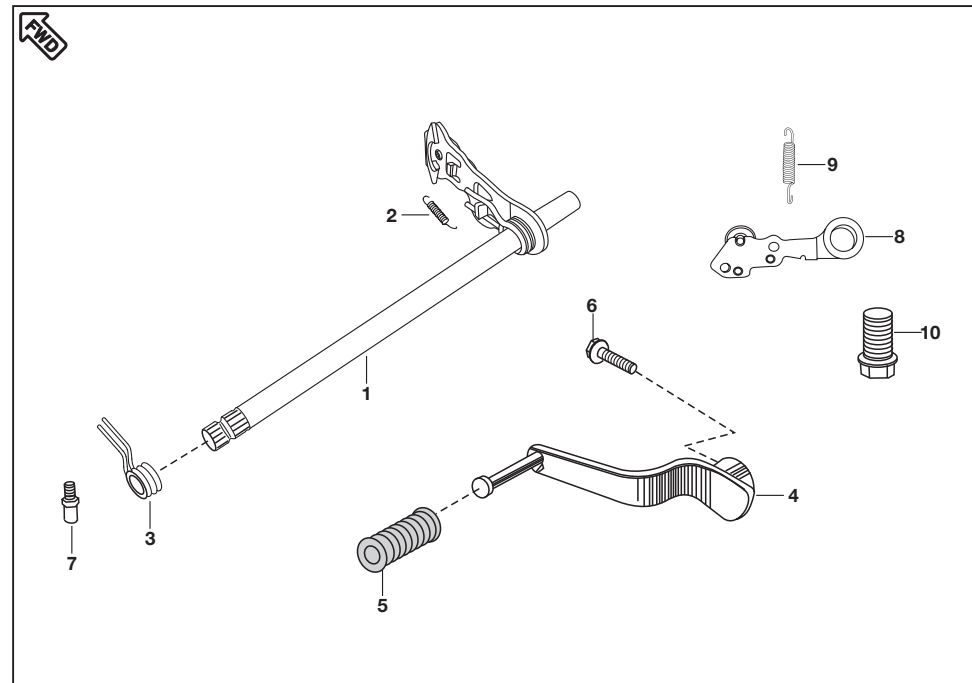
No.	Part No.	Description	Qty/ Veh.	Remarks
1	DK 1014 71	Shaft input transmission	1	
2	39 2158 11	Washer plain	2	
3	DK 1011 03	Gear 4th Drive	1	
4	DH 1010 79	Washer Spline	3	
5	DH 1012 35	External Circlip	4	
6	DK 1011 02	Gear 3rd Drive	1	
7	DK 1016 32	Gear 5th drive	1	
8	DH 1010 84	Gear 2nd drive	1	
9	39 2160 11	Plain washer	1	
10	DK 1011 44	Shaft output transmission	1	
11	DH 1013 36	Washer Thrust	2	
12	DK 1011 05	Gear 3rd Driven	1	
13	DH 1010 79	Washer spline	2	
14	DK 1011 06	Gear 4th Driven	1	
15	DH 1011 11	Bush 1st driven	1	



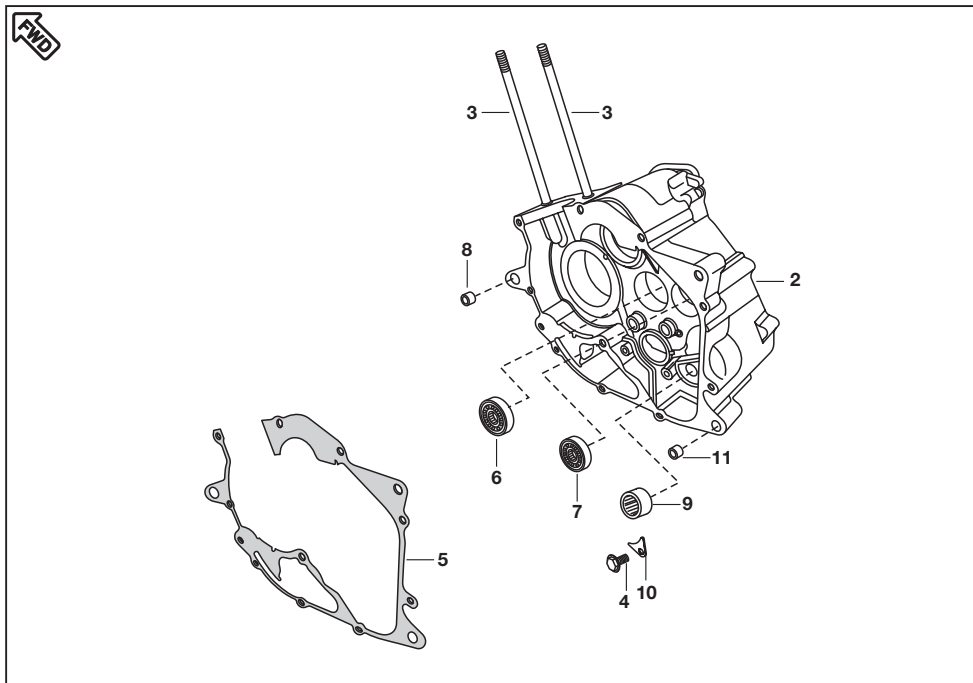
No.	Part No.	Description	Qty/ Veh.	Remarks
16	DH 1012 35	Circlip	1	
17	DK 1011 18	Gear 1st driven	1	
18	DK 1016 33	Gear 5th Driven	1	
19	DH 1013 19	Bush 2nd driven	1	
20	DH 1013 33	Gear 2nd Driven	1	
21	DK 1012 45	Collar Sprocket	1	
22	DK 1013 52	'O' Ring Sprocket Collar	1	
23	DV 1010 48	Sprocket Drive	1	
24	DJ 1010 63	Plate Drive Sprocket	1	
25	39 1062 04	Bolt flange	2	



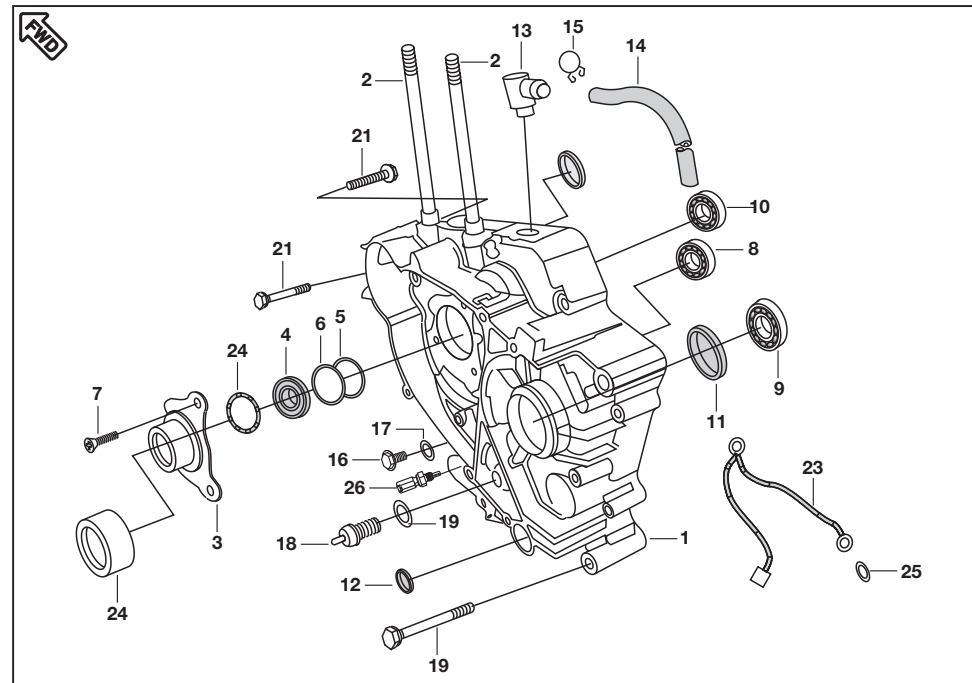
No.	Part No.	Description	Qty/ Veh.	Remarks
1	DK 1011 33	Fork Gear Shift Input	1	
2	DK 1011 34	Fork Gear Shift output	2	
3	DH 1011 46	Shaft Gear Shift Fork	1	
4	DH 1014 93	Shaft Gear Shift Fork	1	
5	DK 1013 62	Drum comp. Gear Shift	1	To Check
6	39 2639 04	Bolt Socket	1	
7	39 2606 07	Parallel pin	1	
8	DK 1013 61	Guide Gear Shifter	1	
9	DH 1014 96	Spacer	1	
10	DK 1011 35	Bush Fork Gear Shift	1	



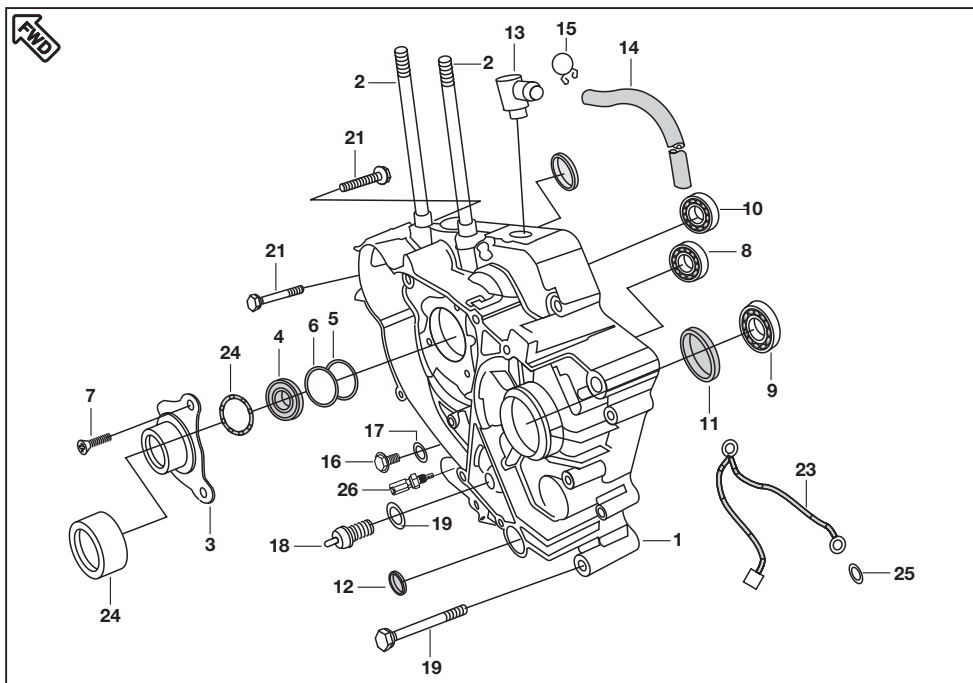
No.	Part No.	Description	Qty/ Veh.	Remarks
1	DH 1017 05	Lever comp. Gear Shifter	1	
2	DH 1017 14	Spring Slider Arm Reset	1	
3	DH 1011 44	Spring Gear Shifter Return	1	
4	DK 1011 82	Lever gear shift	1	
5	31 1011 08	Damper	1	
6	39 2453 04	Flanged Bolt	1	(39 1845 04)
7	DH 1013 93	Bolt Gear Shift drum Stopper	1	
8	DH 1015 03	Stopper Gear Shifter Drum	1	
9	DK 1012 53	Spring Gear Shifter Drum Stopper	1	
10	DH 1013 94	Bolt Shift Change	1	
11	DK 1011 87	Collar	1	
12	DK 1011 80	Assembly tie rod	1	
13	DK 1011 85	Washer pivot	1	
14	DK 1011 86	Pivot bolt	1	
15	39 1998 19	Oil seal	2	



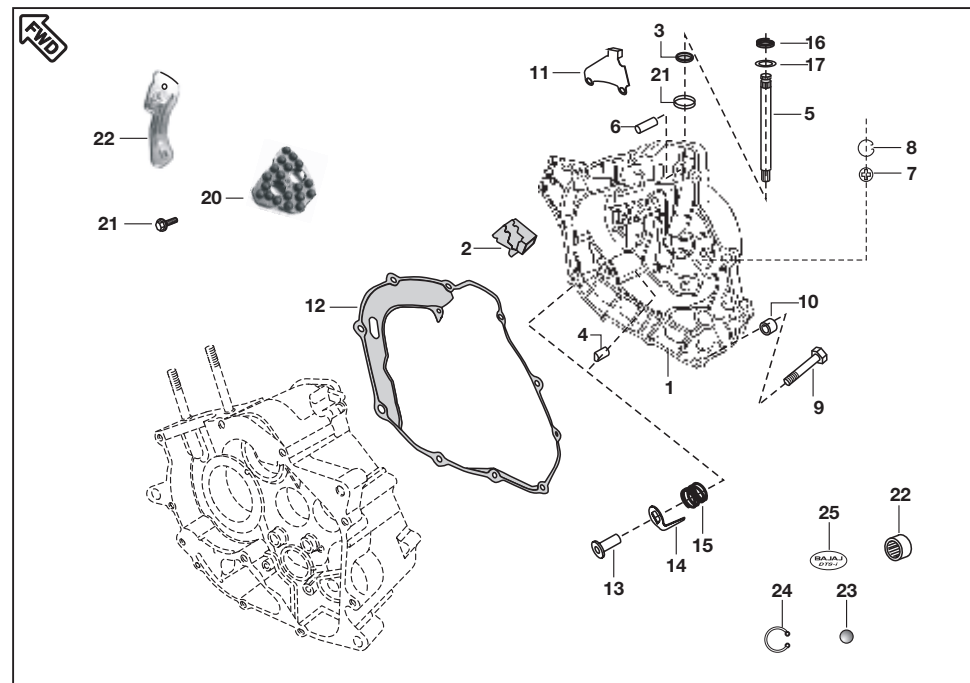
No.	Part No.	Description	Qty/ Veh.	Remarks
1	DK 1016 12	Engine Assly. with starter motor	1	N I (S)
	DK 1016 13	Engine Assly. with starter motor	1	N I (F)
2	JC 1010 29	Crankcase RH	1	
3	59 0500 02	Stud	2	
4	DJ 1013 02	Bolt Flanged	1	
5	DH 1010 06	Gasket Crankcase	1	
6	39 2583 20	Bearing Ball (For Input shaft)	1	
7	59 2000 27	Bearing Ball (For Output shaft)	1	
8	39 2180 06	Dowel Pin	2	
9	39 2601 20	NRB	1	(For Dr. Comp. Gear Shift)
10	DH 1014 87	Plate Stopper	1	
11	39 2181 06	Dowel Pin	2	



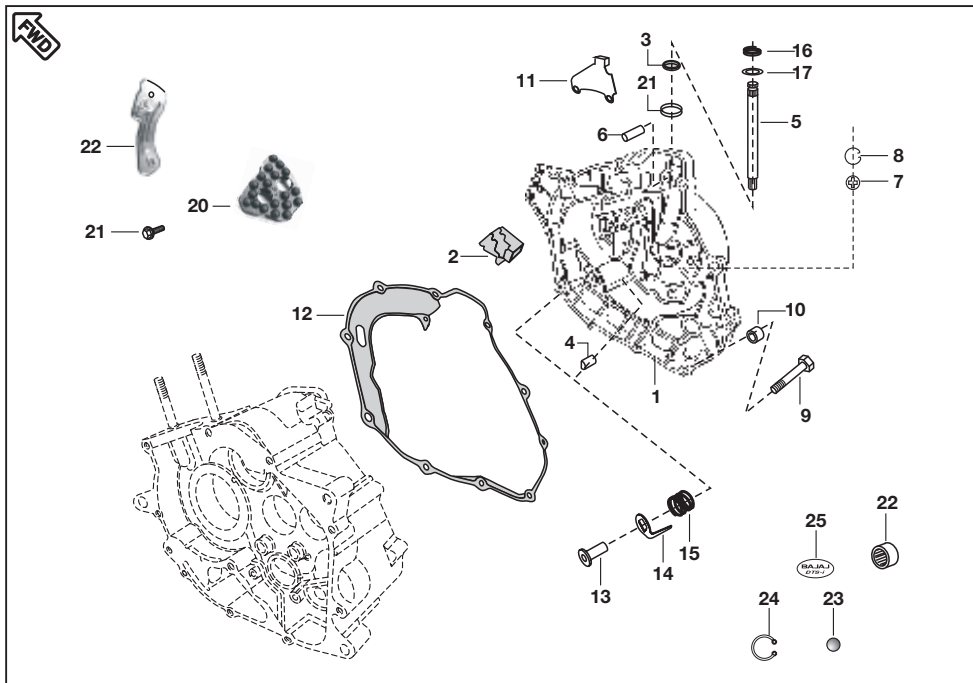
No.	Part No.	Description	Qty/ Veh.	Remarks
1	DK 1015 81	Crankcase LH	1	with banjo
2	59 0500 02	Stud	2	
3	DK 1010 94	Guide starter assly	1	
4	39 2188 19	Oil Seal	1	
5	59 2100 06	O' Ring	1	
6	DK 1010 97	Damper	1	
7	39 0752 01	C' Sunk Head Screw	3	
8	39 2603 20	Bearing Ball (For Input shaft)	1	
9	59 2000 06	Bearing Ball (For Output shaft)	1	
10	39 2185 20	Balancer LH Bearing	1	
11	30 1010 14	Oil Seal (For Output shaft)	1	
12	39 2190 19	Oil Seal (For Shift lever)	1	
13	DH 1012 03	Breather	1	
14	DH 1012 46	Rubber tube	1	
15	28 1011 74	Spring Clip	1	



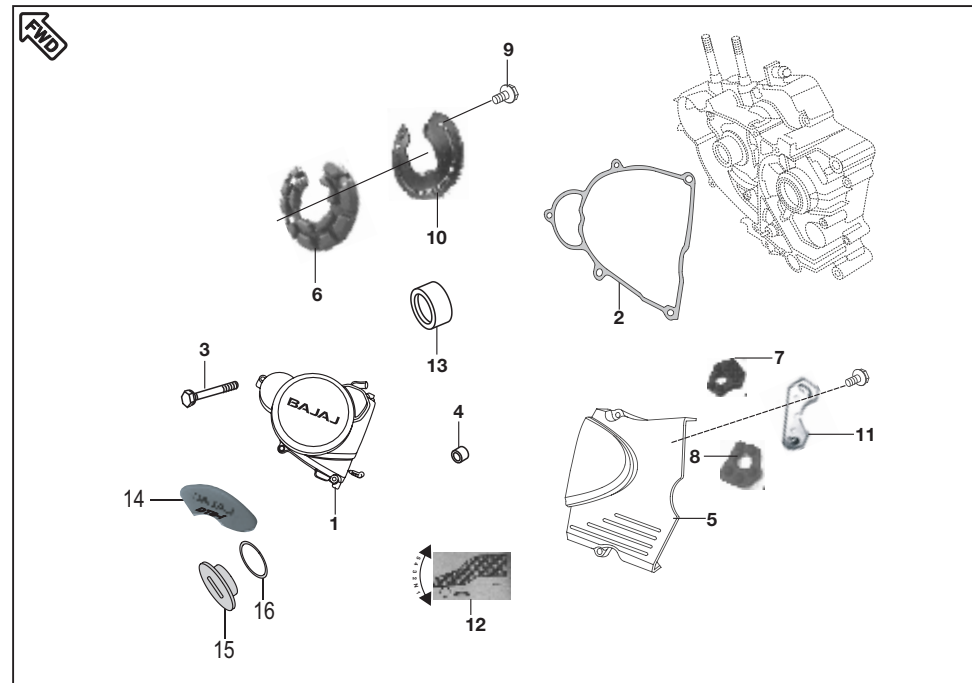
No.	Part No.	Description	Qty/ Veh.	Remarks
16	DH 1016 61	Plug (Drain Bolt)	1	
17	31 1011 06	Gasket (For Drain Bolt)	1	
18	DK 1013 80	Switch comp.(Neutral)	1	
19	DH 1013 85	Flanged Bolt	1	
20	39 1677 04	Bolt	8	
21	DH 1013 90	Bolt	1	
22	DH 1011 69	NRB	1	
23	DJ 2010 21	Cable assly. (Battery to Earth)	1	
24	39 2448 11	Plain Washer	1	
25	39 0849 14	Toothed Washer	1	
26	DK 1015 77	Thermal Sensor with AL gasket	1	



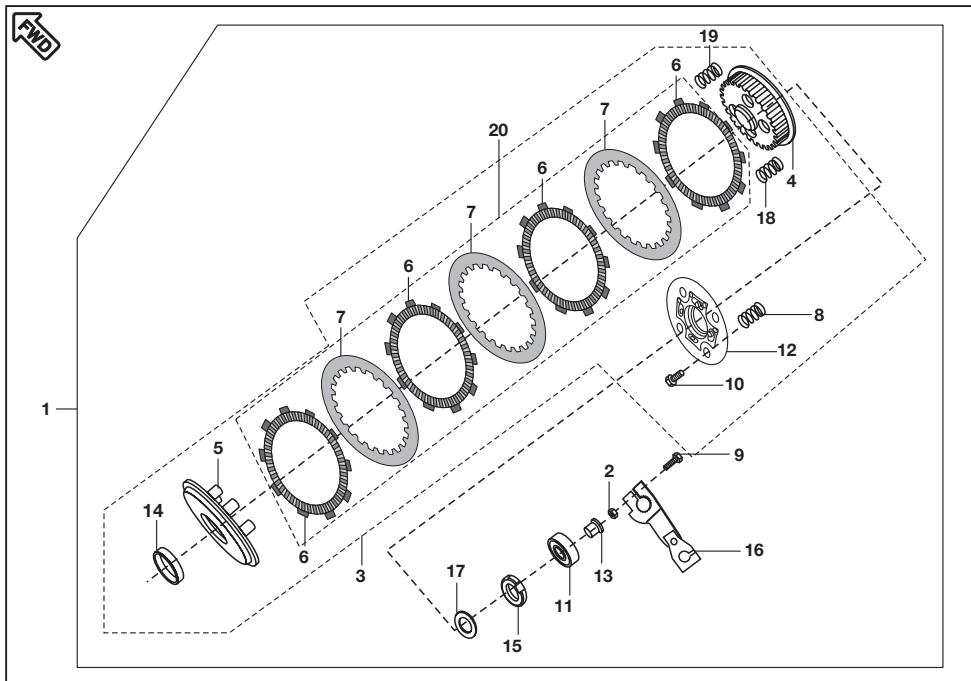
No.	Part No.	Description	Qty/ Veh.	Remarks
1	JC 1010 30	Cover comp RH	1	
2	DH 1011 97	Grommet Breather	1	
3	39 1041 19	Seal clutch lever	1	
4	DH 1011 41	Rack	1	
5	DH 1011 42	Shaft clutch release	1	
6	DK 1012 51	Parallel pin	1	
7	DG 1014 18	Gauge	1	
8	DS 1012 15	Wire circlip	1	
9	DS 1013 53	Bolt	10	
10	39 0999 06	Pin Dowel	2	
11	DK 1012 52	Bracket Clutch Cable	1	
12	DH 1011 54	Gasket cover RH	1	
13	DK 1014 80	Plunger Oil	1	
14	DH 1210 11	Plate Plunger Oil	1	
15	DH 1210 12	Spring Joint 'A'	1	
16	DS 1012 63	Dipstick		
17	DS 1011 52	'O' Ring		
18	DS 1010 71	Cap Oil Filler		



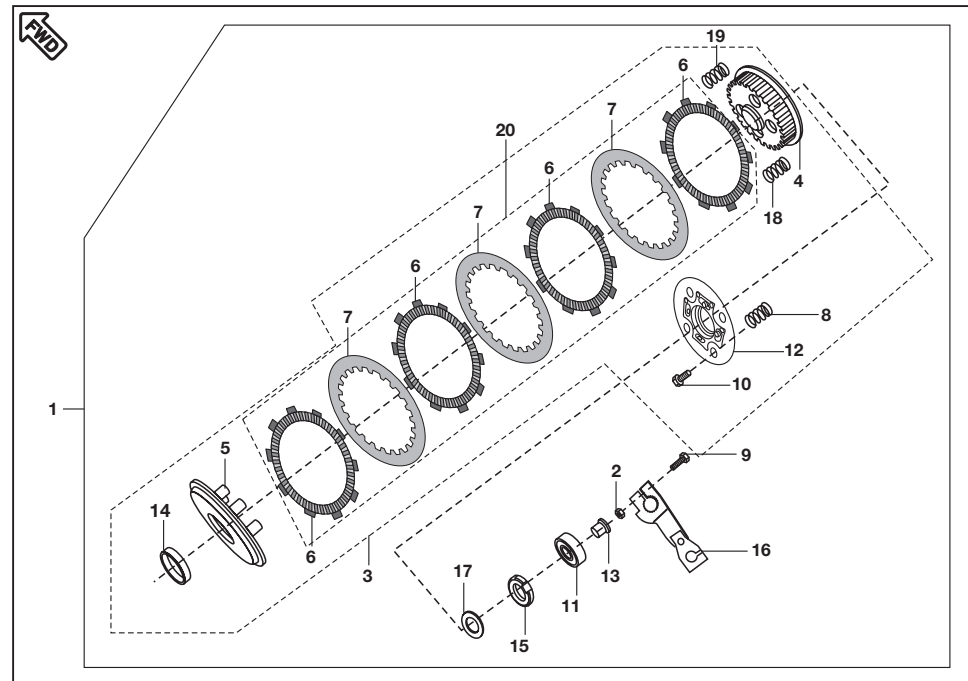
No.	Part No.	Description	Qty/ Veh.	Remarks
19	DH 1015 44	Spring torsion clutch lever	1	
20	39 2443 11	Washer	1	
21	DH 1015 10	Damper	1	
22	DH 1013 88	Flanged Bolt	8	
23	JC 1010 40	'bajaj' Decal	1	Fitted on Cover comp. RH
24	39 1990 20	NRB	2	
25	DH 1014 65	Pressure relief valve	1	
26	DK 1014 49	Spring relief valve	1	
27	30 1012 36	Ball steel	1	
28	39 2547 17	Integral circlip	1	
29	DK 1013 60	Decal clutch cover DTS-Fi	1	N. I.
30	DK 1014 69	Assembly Relief Valve Complete	1	



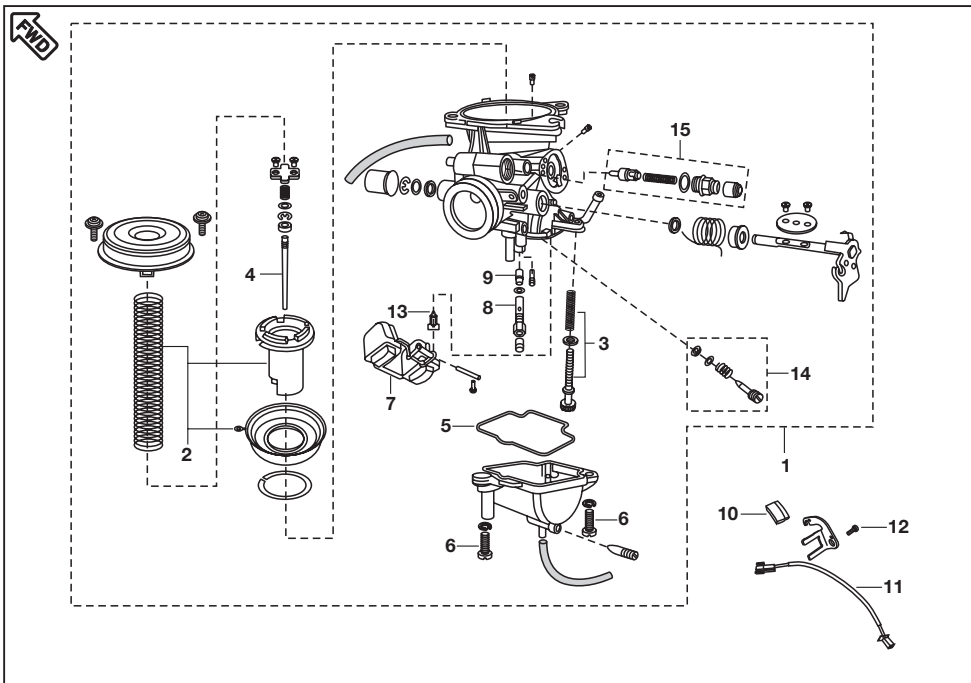
No.	Part No.	Description	Qty/ Veh.	Remarks
1	DJ 1210 71	Cover Magneto	1	(S) with NR
	JC 1011 37	Cover Magneto	1	(F) with NR
2	DV 1010 42	Gasket Magneto cover	1	
3	39 1074 04	Bolt	5	DS 1013 53
4	39 0999 06	Pin Dowel	2	
5	JC 1010 33	Cover LH RR	1	
6	DH 1012 82	Damper Cover magneto	1	(S)
	DK 1011 91	Damper Cover magneto	1	(F)
7	DH 1012 92	Damper A Cover LH RR	1	(F)
8	DH 1012 94	Damper B Cover LH RR	1	(F)
9	39 2208 04	Flanged Bolt	4	
10	DH 1012 83	Plate Damper	1	(S)
	DK 1011 92	Plate Damper	1	(F)
11	DH 1012 93	Plate Damper Cover LH RR	1	
12	DJ 1612 28	Gear Shift Label	1	
13	AP 1010 43	NR bearing	1	
14	DH 1013 23	Decal	1	(S)
15	DH 1011 57	Cap Complete Crank Center	1	(S)
16	39 1283 21	'O' Ring	1	(S)



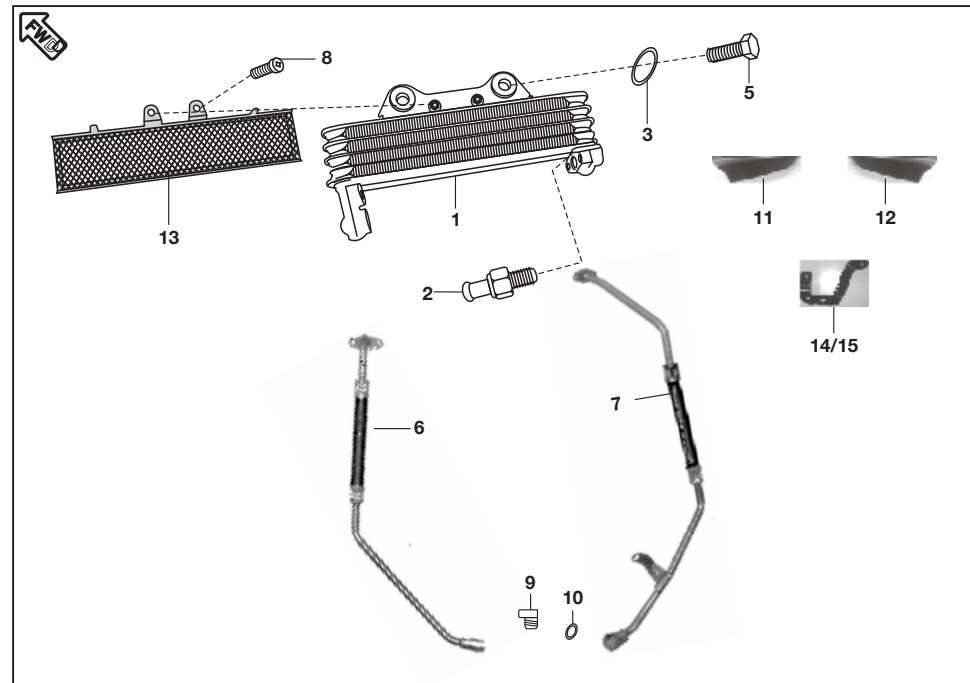
No.	Part No.	Description	Qty/ Veh.	Remarks
1	DK 1015 60	Clutch assembly comp.	1	
2	DH 1012 75	Nut	1	
3	DK 1015 63	Clutch Plate Assly	1	
4	DK 1015 64	Clutch Center	1	
5	DK 1015 69	Plate Clutch pressure	1	
6	DK 1015 66	Disc Clutch friction	3/4	(F)
	DK 1015 68	Disc Clutch friction (B type)	1	
	DK 1015 67	Disc Clutch friction (C type)	1	
7	DK 1015 65	Plate Clutch	4/5	(F)
8	DK 1015 72	Spring Clutch Capacity	5	
9	39 1674 04	Bolt	1	
10	DK 1015 74	Bolt	5	



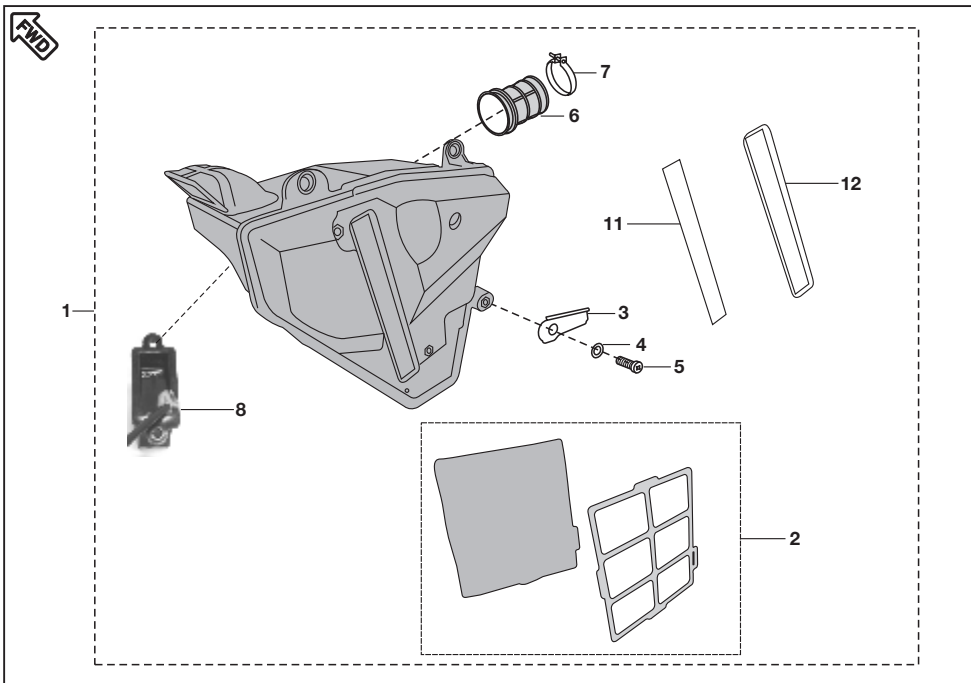
No.	Part No.	Description	Qty/ Veh.	Remarks
11	39 1880 20	Bearing Clutch lifter thrust	1	
12	DK 1015 73	Holder Clutch	1	
13	DK 1010 72	Rod Clutch lifter	1	
14	DK 1011 26	Spacer Clutch	1	
15	DH 1016 48	Nut Primary drive lock	1	LH Thread, To Check
16	DK 1016 36	Lever Assly. Clutch	1	
17	39 2200 11	Washer Primary Drive Gear	1	
18	DK 1015 70	Seat judder spring	1	
19	DK 1015 71	Spring judder	1	



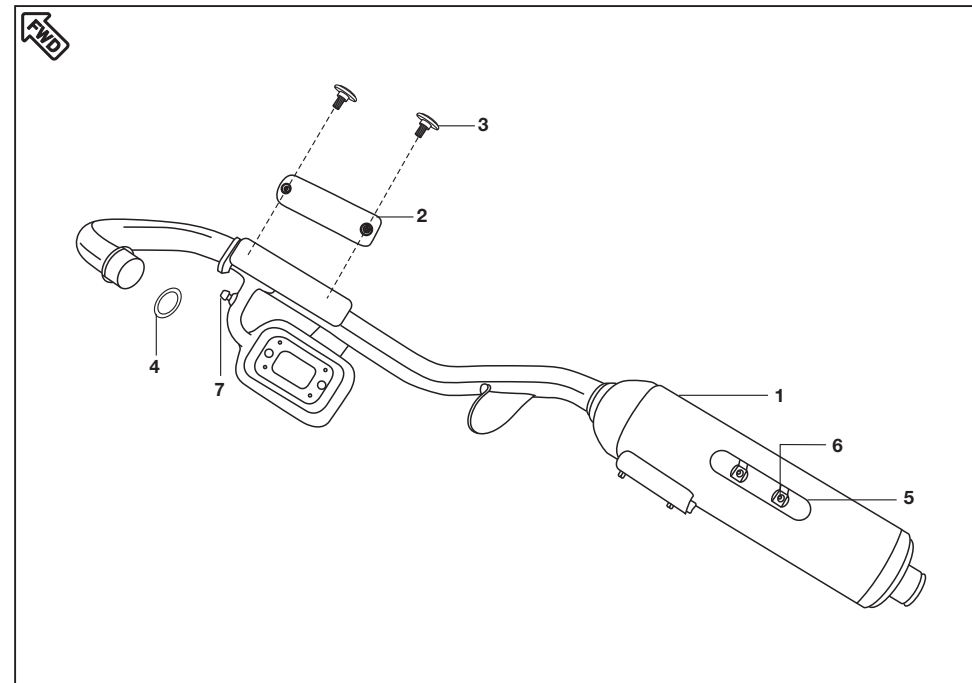
No.	Part No.	Description	Qty/ Veh.	Remarks
1	JC 1200 25	Carburettor Assly.	1	
2	DK 1210 40	Vacuum Piston Kit	1	
3	DK 1210 41	Idling Screw Kit	1	
4	DK 1210 42	Jet needle(JN)	1	
5	DK 1210 43	"O" ring	1	
6	DK 1210 44	Screw	2	
7	DK 1210 45	Float Assly.	1	
8	DK 1210 46	Jet Holder	1	
9	DJ 1210 45	Main jet	1	
10	DH 1211 01	Magnet Assly.	1	
11	DJ 1210 70	Reed Switch Assly.	1	
12	39 1780 01	Pan Head Screw	2	
13	DK 1210 47	Needle Assly.	1	
14	DK 1210 48	Set Adjuster (PS)	1	
15	DK 1210 49	Set Plunger Assly.	1	
16	DK 1210 50	Air jet	1	N.I.



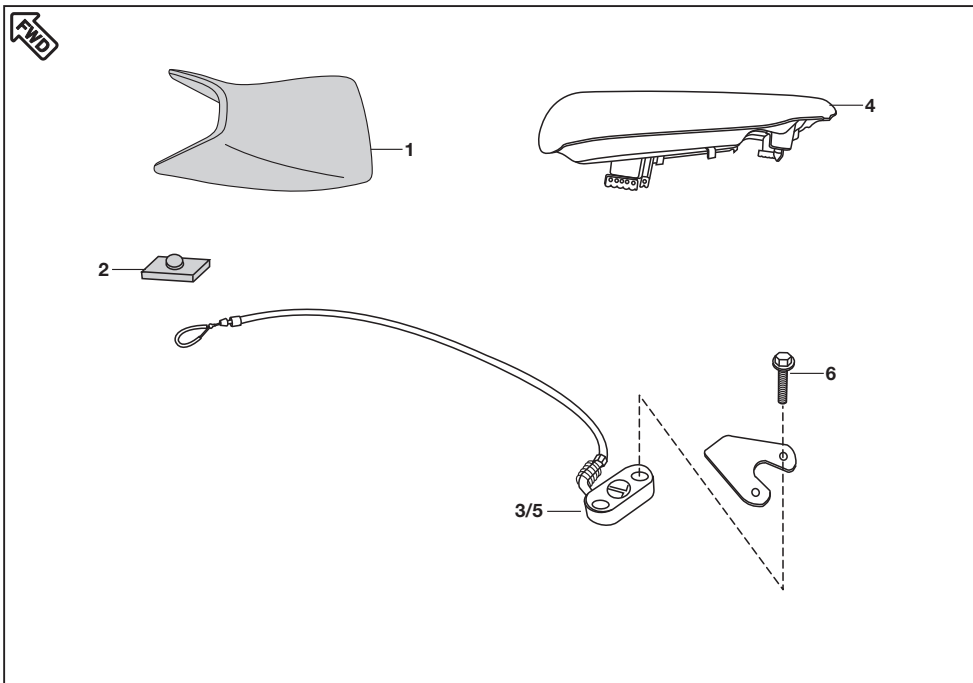
No.	Part No.	Description	Qty/ Veh.	Remarks
1	DK 1016 34	Oil cooler assembly	1	
2	DK 1012 25	Switch oil pressure	1	
3	DK 1013 40	'O' ring Oval	1	
4	JC 1610 27	Oil cooler bracket	1	
5	39 1672 04	Bolt	2	
6	DK 1016 30	Pipe inlet oil cooler	1	
7	DK 1016 31	Pipe outlet oil cooler	1	
8	39 2637 04	Hexagon head screw	1	39 2345 01, To Check
9	DK 1012 36	Banjo bolt	2	
10	DK 1012 37	Gasket	4	
11	DK 1611 88	Cap oil cooler LH	1	
12	DK 1611 89	Cap oil cooler RH	1	
13	DK 1016 35	Oil cooler jali	1	
14	DK 1611 86	Oil cooler cap bracket LH	1	
15	DK 1611 87	Oil cooler cap bracket RH	1	
16				



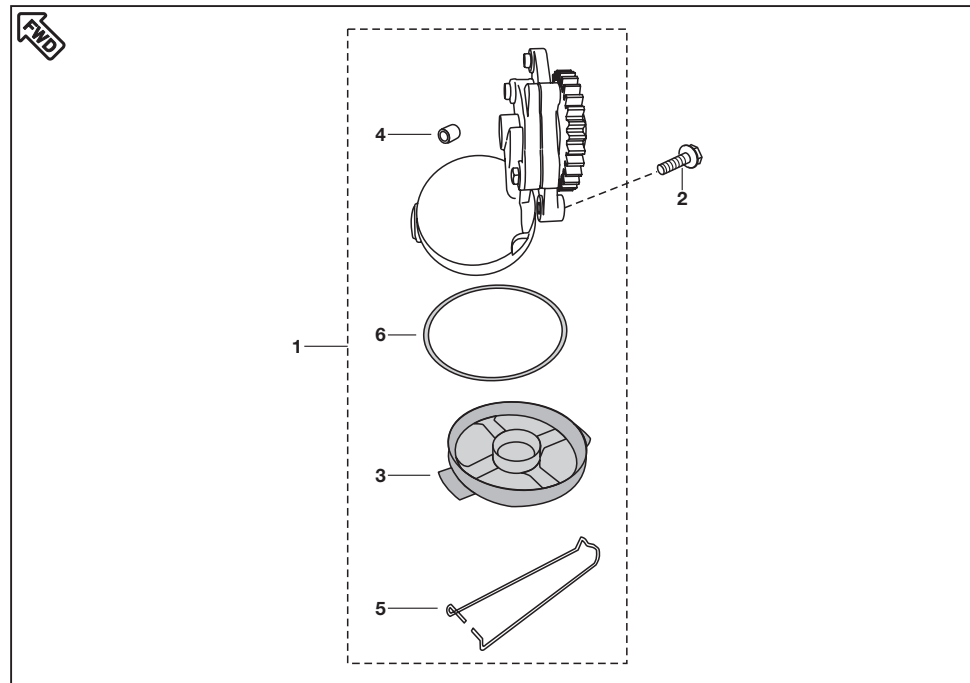
No.	Part No.	Description	Qty/ Veh.	Remarks
1	DK 1210 38	Air Cleaner comp	1	
2	DK 1210 09	Assly element filter	1	
3	DH 1210 20	Bracket lock	1	
4	39 1765 11	Plain washer	1	
5	39 0007 01	Hexagonal head screw	1	
6	DK 1210 39	Connecting tube	1	
7	AP 1210 64	Clamp	1	
8	DK 1110 40	IR sensor	1	
9	JC 1200 18	Carburettor Insulator	1	
10	AA 1210 45	Clamp	2	
11	DK 1210 15	'O' Ring	1	
12	DK 1210 08	Filter element cover	1	
13	DK 1210 22	Grommet IR sensor	1	



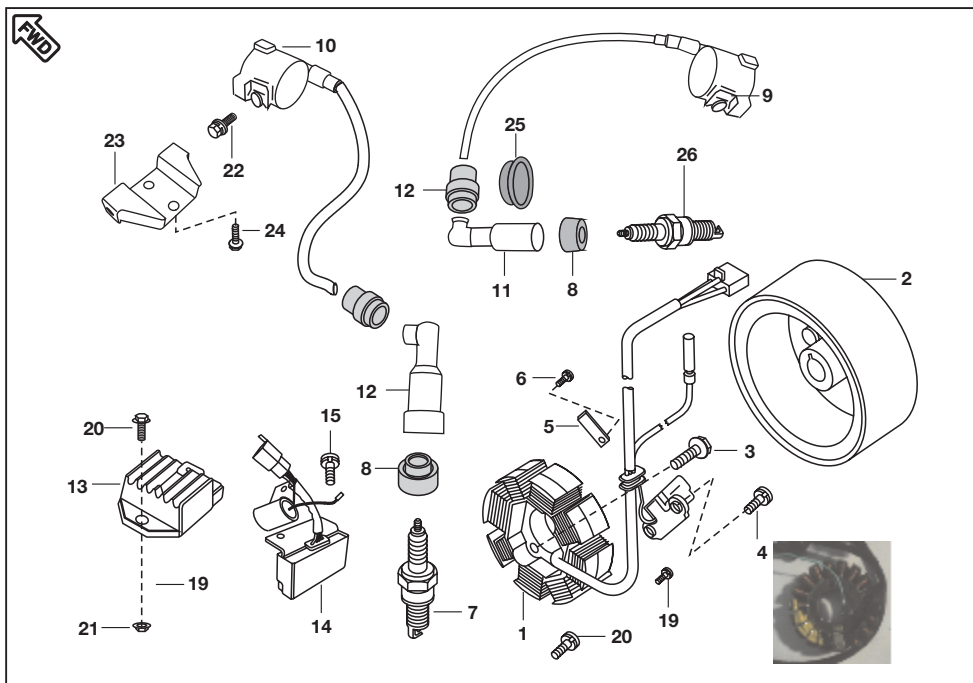
No.	Part No.	Description	Qty/ Veh.	Remarks
1	DK 1014 82	Silencer Assly. w/o shield	1	
2	DH 1016 08	Silencer front shield	1	
3	DH 1016 07	Truss screw	2	
4	DJ 1010 64	Gasket exhaust	1	
5	-----	Silencer rear shield	1	
6	-----	Nut	2	
7	DK 1016 10	Resonator bolt	1	



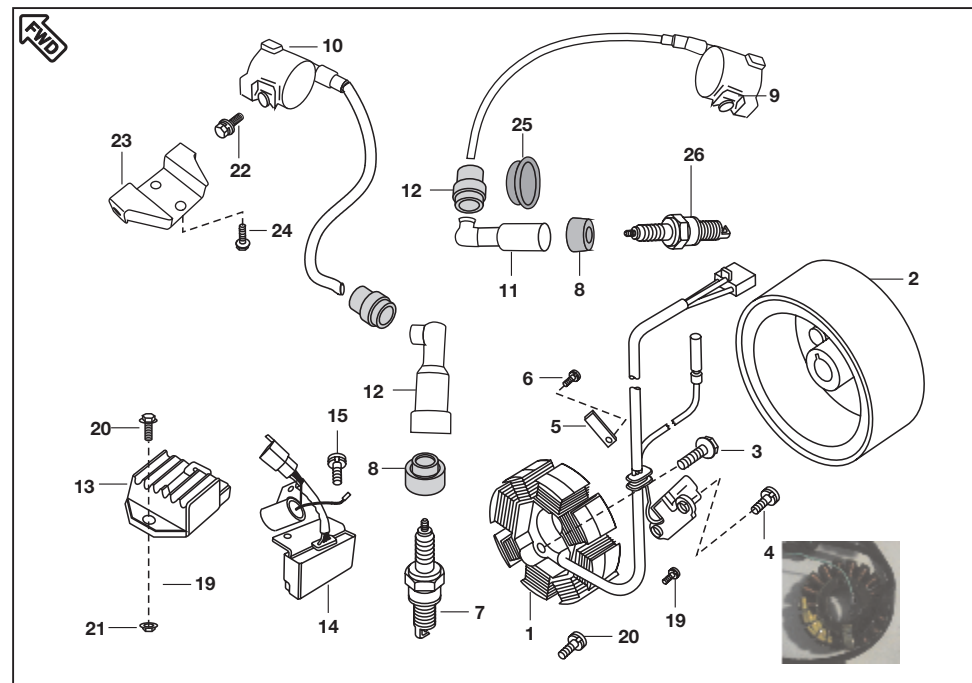
No.	Part No.	Description	Qty/ Veh.	Remarks
1	DK 2110 01	Seat assly comp front	1	
2	DS 2110 05	Damper	2	
3	DH 1610 46	Lock assly seat front	1	
4	DK 2110 04	Seat assly comp rear	1	
5	DK 2110 08	Lock assly seat rear	1	
6	39 1902 04	Bolt flange	2	



No.	Part No.	Description	Qty/ Veh.	Remarks
1	52 DH01 69	Oil Pump Assly	1	
2	39 1674 04	Hex. Bolt with flange	3	
3	DH 1210 10	Mesh filter Oil pump	1	
4	39 1686 06	Hollow dowel pin	1	
5	DH 1210 35	Clip Mesh Oil filter	1	
6	39 2194 21	'O' Ring	1	

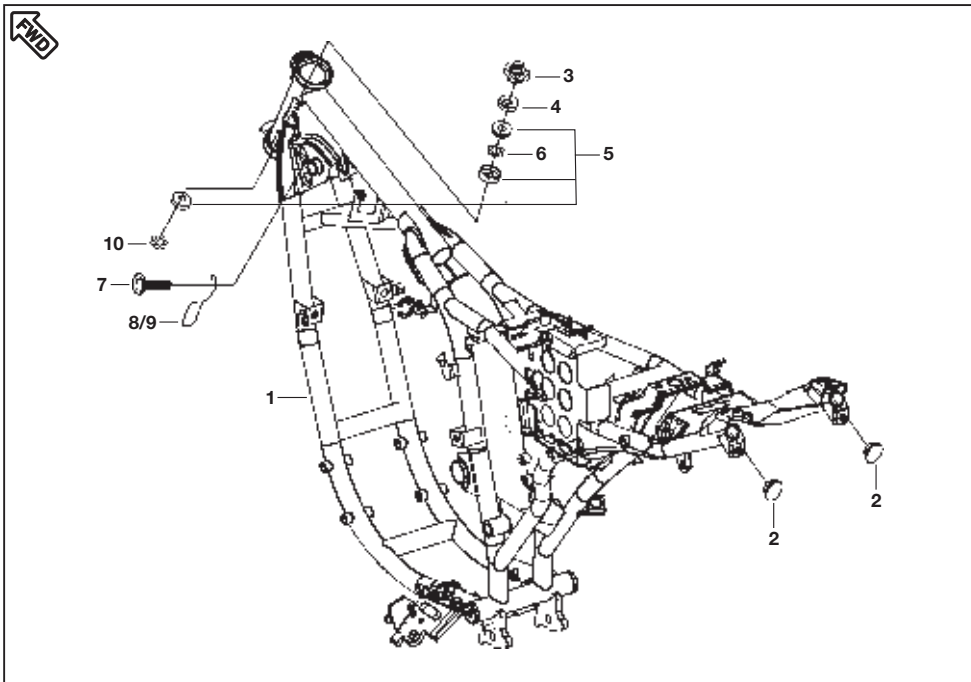


No.	Part No.	Description	Qty/ Veh.	Remarks
1	DH 1110 81	Stator assly. comp.	1	(S)
	JC 1110 26	Stator assly. comp.	1	(F)
2	DH 1110 82	Rotor Assly.	1	(S)
	JC 1110 27	Rotor Assly.	1	(F)
3	39 1674 04	Hex. Bolt with Flange	2	To Check
4	39 0761 01	Pan Head Screw	2	
5	DH 1011 99	Stopper plate (wiring harness)	1	(S)
6	DH 1013 80	Screw Pan head	1	(S)
7	DG 1110 08	Spark Plug	2	
8	DH 1011 13	Grommet Spark Plug	2	
9	JC 1110 22	H.T. Coil LH	1	
10	JC 1110 23	H.T. Coil RH	1	
11	DH 1110 15	Cap Spark Plug	2	
12	DD 1110 12	Grommet H.T. Cable	2	
13	DK 1110 71	CDI Unit	1	
14	DK 2010 01	Regulator Voltage	1	To Check
15	DD 2010 24	Flange Bolt	1	

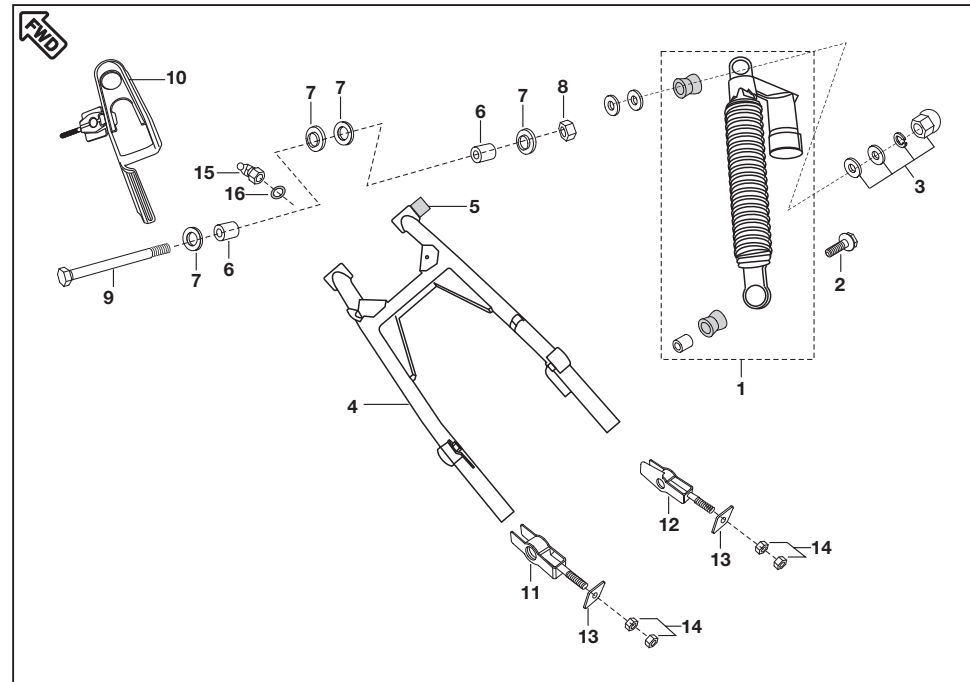


No.	Part No.	Description	Qty/ Veh.	Remarks
16	39 1902 04	Flange Bolt	2	
17	DJ 1610 67	Bracket H.T. Coil	1	
18	39 1680 04	Flange Bolt	2	
19	DH 1110 16	Grommet Sleeve Spark Plug	1	
20	DH 1013 86	Hex bolt stator mounting	3	(S)
	DK 1210 84	Hex bolt stator mounting	3	(F)
21	DH 1013 81	Pan head screw (Pick up coil mtg)	2	

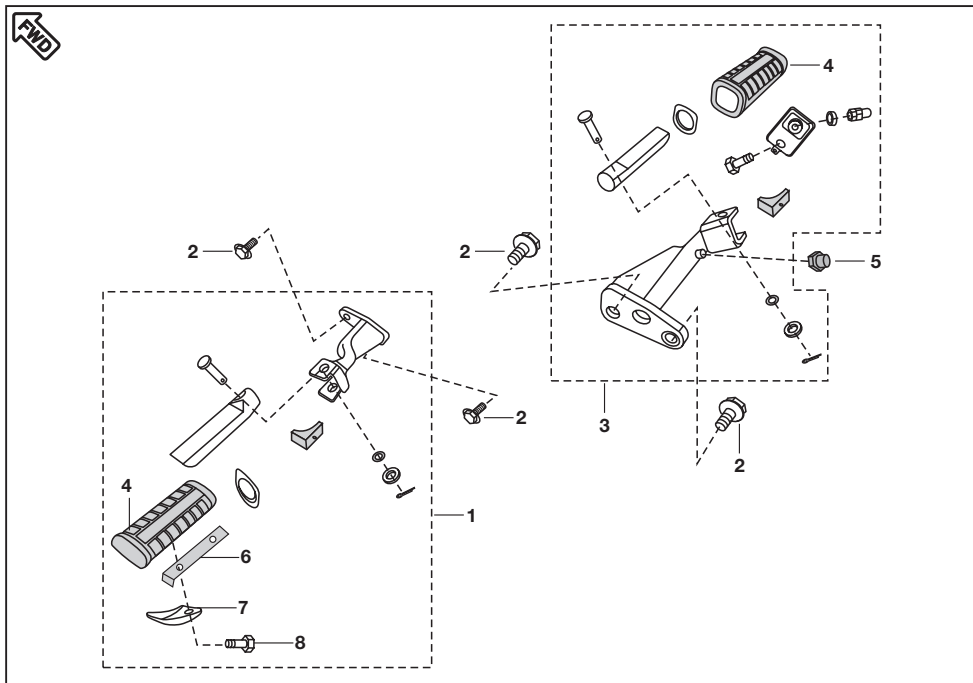




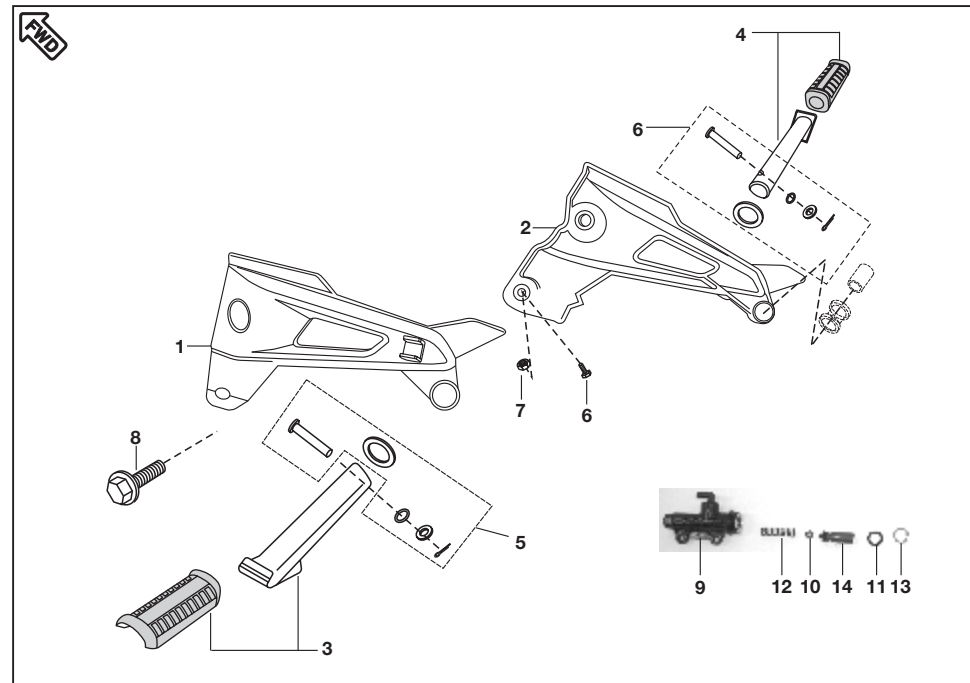
No.	Part No.	Description	Qty/ Veh.	Remarks
1	JC 1610 49	Frame Assly. comp.	1	(S)
	JC 1610 50	Frame Assly. Comp.	1	(F)
2	DH 1611 12	Cup rear	2	
3	DK 1810 75	Nut	1	
4	DK 1810 76	Cup - Steering	1	
5	36 DV00 07	Bearing Cone Kit	1	Ref. page no. 65
6	DK 1810 50	Cage bearing upper	1	
7	39 1680 04	Flanged bolt	2	
8	DJ 1611 32	Cable Hook LH	1	
9	DJ 1611 33	Cable Hook RH	1	
10	DK 1810 51	Cage bearing lower	1	



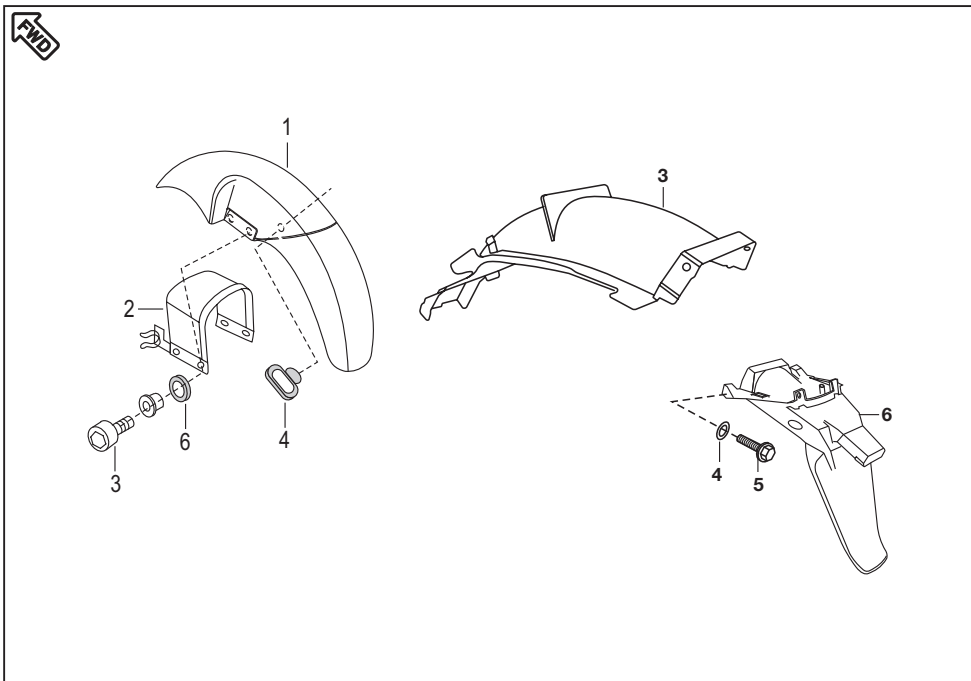
No.	Part No.	Description	Qty/ Veh.	Remarks
1	DK 1710 14	Rear Shock Absorber	2	
2	DG 1710 38	Bolt Pre-coated	2	
3	36 DK00 12	Kit rear shock	1	Ref. page no. 65
4	DK 1710 11	Swing arm assly.	1	
5	DG 1710 18	Needle bearing	2	
6	DK 1710 06	Collar swing arm	2	
7	DG 1710 19	Dust seal swing arm	4	
8	DH 1710 19	'U' nut swing arm	1	
9	DK 1710 03	Shaft swing arm	1	
10	DG 1710 34	Chain slider guard	1	
11	DG 1710 21	Adjuster chain LH	1	
12	DG 1710 20	Adjuster chain RH	1	
13	DJ 1510 47	Plate Chain Adjuster	2	
14	39 0292 15	Hexagon nut	4	
15	35 1710 33	Grease nipple	2	
16	39 0740 11	Plain washer (Nylon)	2	



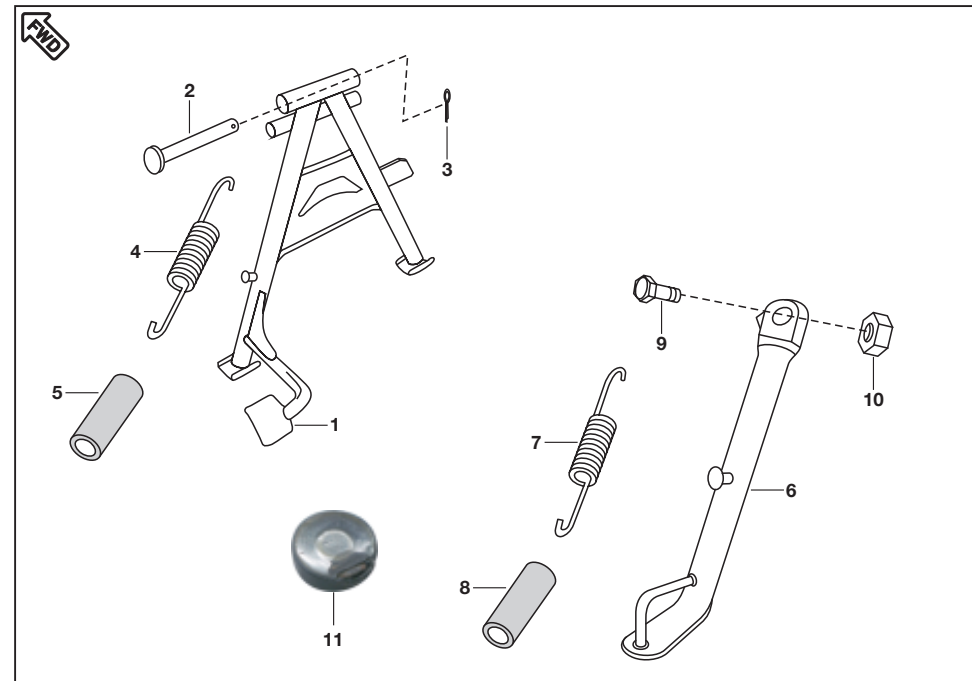
No.	Part No.	Description	Qty/ Veh.	Remarks
1	DJ 1611 26	Main step LH assly. comp.	1	
2	22 1504 51	Flange bolt	4	
3	DJ 1611 27	Main step RH assly. comp.	1	
4	DH 1610 53	Rubber main step	2	
5	DH 1611 94	Kick stopper	1	
6	DX 1610 67	Plate lock pillion step	2	
7	DH 1611 00	Spacer main step	2	
8	-----	Bolt	2	



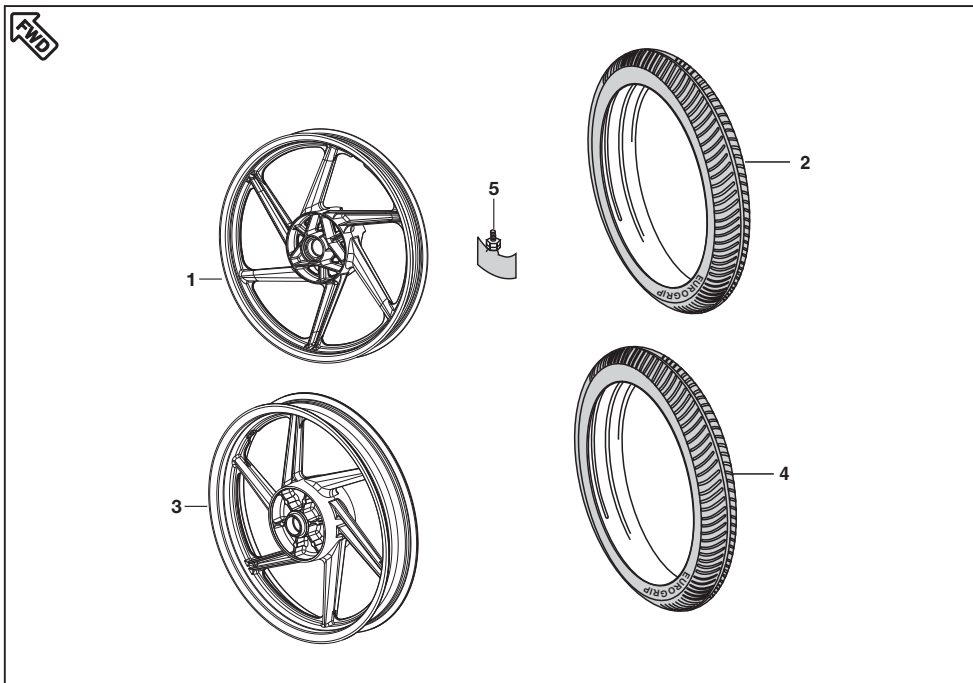
No.	Part No.	Description	Qty/ Veh.	Remarks
1	DK 1611 37	Holder LH step	1	
2	DK 1611 38	Holder RH step	1	
3	DH 1613 13	Pillion step assly. comp. LH	1	
4	DH 1613 15	Pillion step assly. comp. RH	1	
5	36 DK00 13	Kit hardware pillion	2	Ref. page no. 65
6	39 1069 01	Hexagonal head screw	2	
7	39 0292 15	Nut	1	
8	39 1741 04	Flanged Bolt	2	Bolt Mtg. LH & RH Holder Step
9	DE 1910 15	Master cylinder body	1	
10	DE 1910 20	Seal primary	1	
11	DE 1910 21	Seal secondary	1	
12	DE 1910 23	Spring	1	
13	DE 1910 24	Circlip	1	
14	DE 1910 25	Rod	1	
15	DE 1910 26	Spring conical	1	N.I.
16	DK 1510 43	Rear brake push rod	1	N.I.
17	DK 1510 42	Push rod boot	1	N.I.
18	*****	Pillion footrest rubber	2	



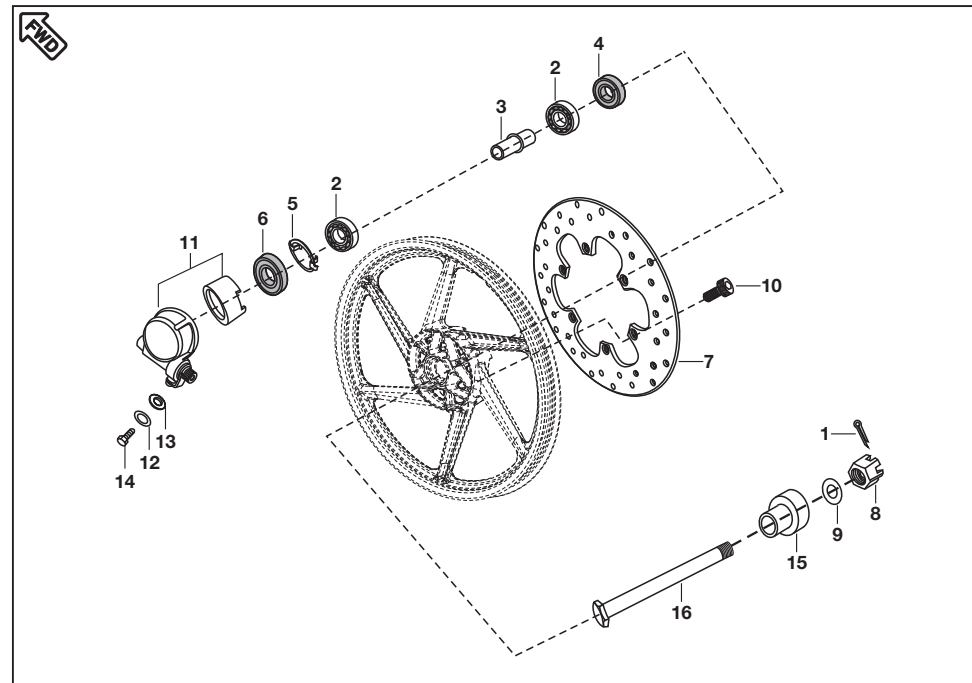
No.	Part No.	Description	Qty/ Veh.	Remarks
1	DK 1610 98	Brace fender	1	
2	59 0400 40	Step bolt	4	
3	DK 1610 86	Fender rear front	1	
4	39 0711 11	Plain washer	4	
5	39 1680 04	Flange bolt	2	
6	DK 1610 85	Fender rear	1	
7	DS 1611 25	Cable guide	1	
8	DJ 1610 69	Nail Cable guide	1	



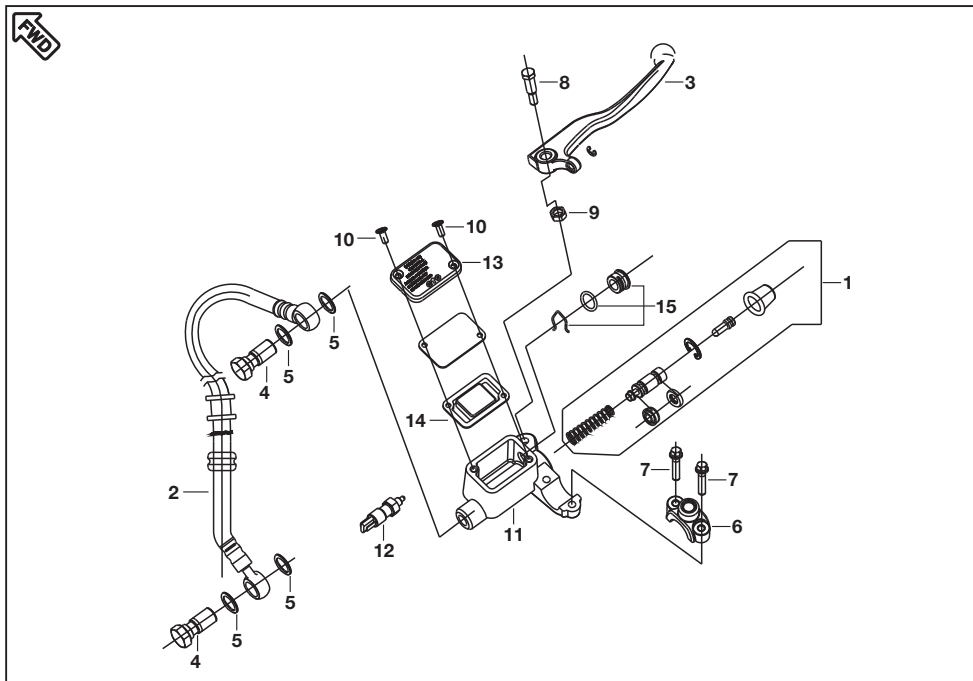
No.	Part No.	Description	Qty/ Veh.	Remarks
1	DK 1611 22	Stand main	1	
2	30 1611 57	Shaft stand	1	
3	39 0787 08	Pin cotter	1	
4	DH 1611 21	Spring main stand	1	
5	DH 1611 45	Cover spring main stand	1	
6	JC 1610 17	Stand side	1	
7	DH 1610 66	Spring side stand	1	
8	DH 1611 46	Cover spring side stand	1	
9	DF 1611 02	Bolt	1	
10	39 0422 15	Nut	1	
11	DJ 2011 06	Magnet assembly	1	



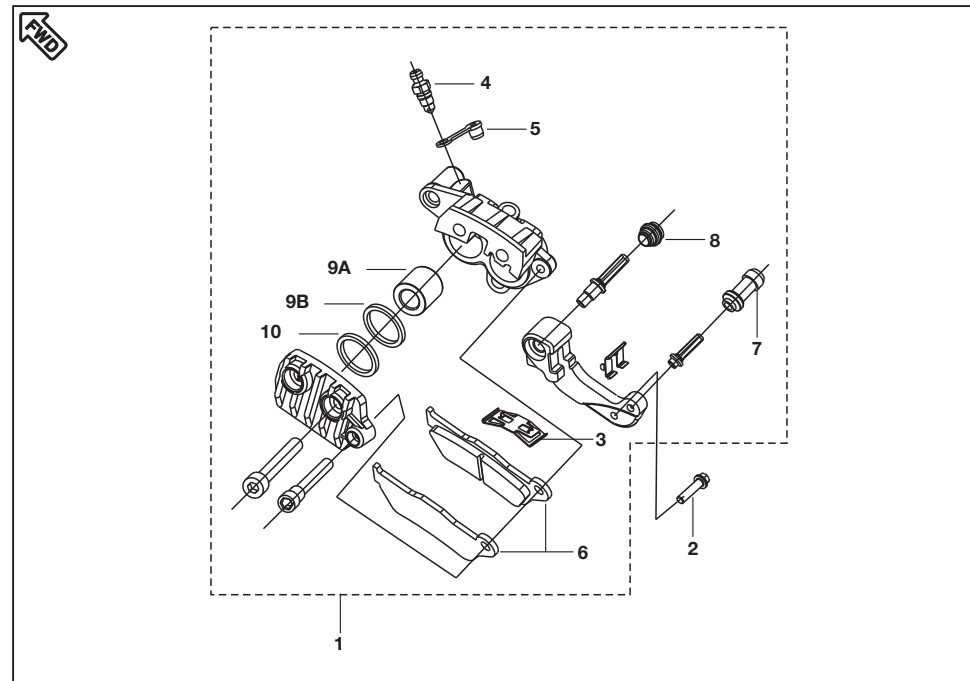
No.	Part No.	Description	Qty/ Veh.	Remarks
1	JC 1510 13	Wheel rim front	1	
2	DK 1510 39	Tubeless tyre front	1	Not serviceable
3	DK 1510 50	Wheel rim rear	1	
4	DK 1510 40	Tubeless tyre rear	1	Not serviceable
5	DK 1510 26	Valve for tubeless tyre	2	



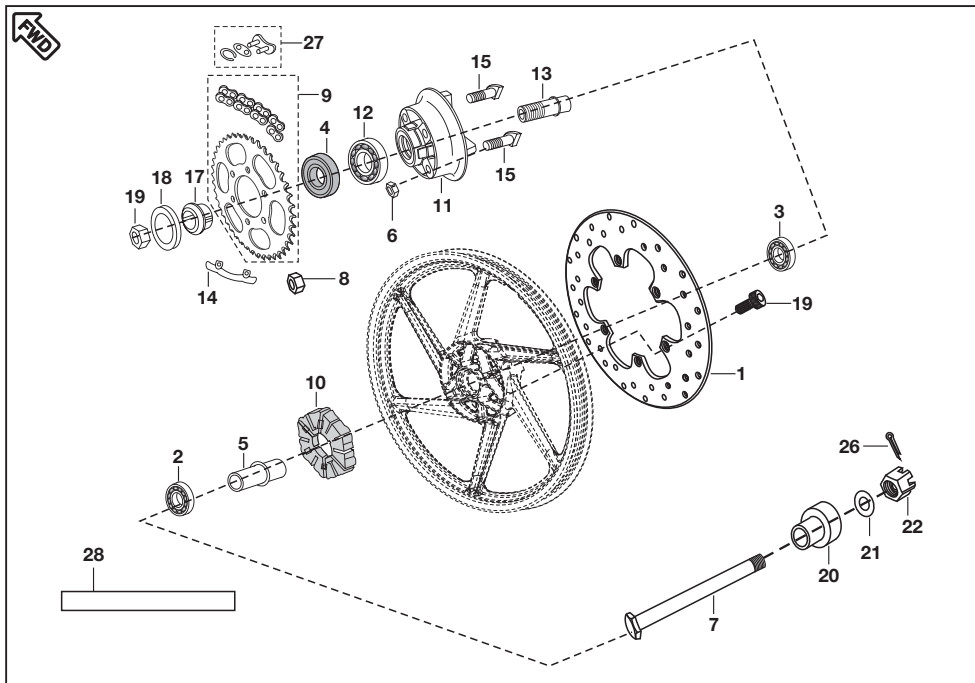
No.	Part No.	Description	Qty/ Veh.	Remarks
1	39 0787 08	Pin cotter	1	
2	39 2241 20	Bearing ball	2	
3	DK 1510 28	Spacer assly.	1	
4	DG 1510 05	Seal oil	1	
5	DE 1510 12	Plate drive	1	
6	DE 1510 08	Seal oil	1	
7	DK 1510 27	Disc	1	
8	DH 1710 19	U nut	1	
9	DG 1510 08	Plain washer	1	
10	DG 1510 49	Hex. soc. hd. bolt	6	
11	JC 1510 19	Case meter Assly.	1	(S)
	DK 1510 53	Case meter assly.	1	(F)
12	59 2100 29	O Ring	1	
13	39 0900 12	Washer	1	
14	39 0840 01	Screw pan	1	
15	DG 1510 07	Collar	1	
16	DK 1510 08	Axle	1	



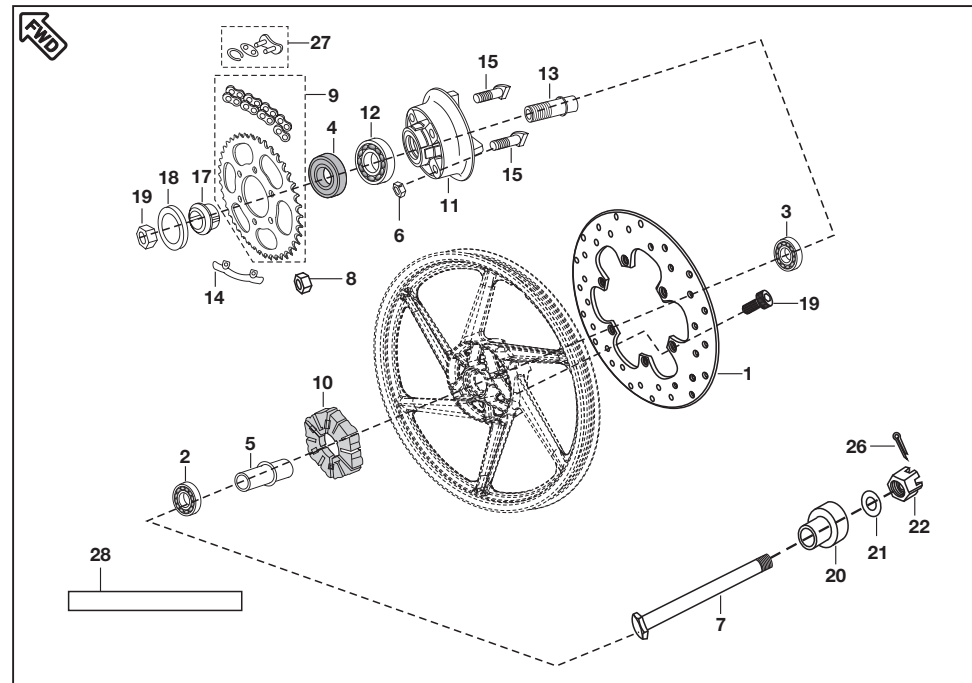
No.	Part No.	Description	Qty/ Veh.	Remarks
1	DE 1910 43	Major Kit - Master Cylinder	1	
2	DJ 1510 76	Hose Brake Front	1	
3	DJ 1910 06	Lever Grip RH	1	
4	DE 1910 11	Banjo Bolt	2	
5	DE 1910 10	Washer Copper	4	
6	DE 1910 33	Clamp Holder RH	1	
7	DJ 1910 28	Bolt	2	
8	DJ 1910 29	Bolt Front Brake Lever	1	
9	DJ 1910 30	Nut Flanged	1	
10	DE 1910 30	Screw	2	
11	DJ 1910 32	Cylinder Master	1	
12	DJ 2011 00	Front brake switch	1	
13	DE 1910 29	Reservoir Cover	1	
14	DE 1910 28	Diaphragm	1	
15	DE 1910 35	Oil Window Kit	1	
16	DK 0100 03	Disc brake kit - KBX	1	N.I.



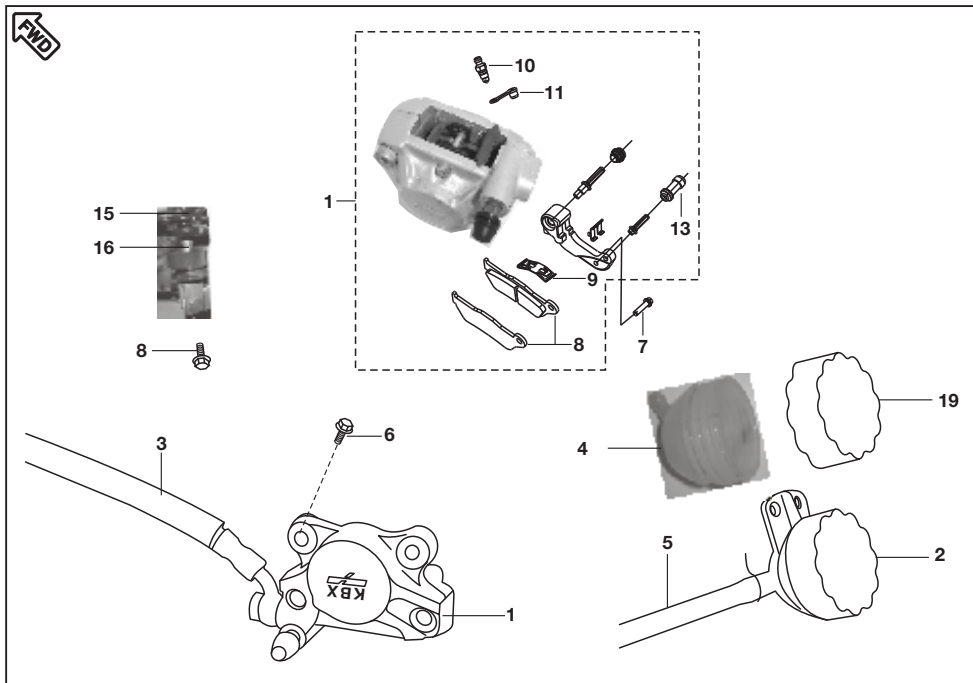
No.	Part No.	Description	Qty/ Veh.	Remarks
1	DG 1510 89	Caliper Assly. Front	1	
2	39 1769 04	Bolt Flanged	2	
3	DE 1510 48	Spring Pad	1	
4	DE 1510 46	Bleeder Screw	1	
5	DE 1510 47	Bleeder Cap	1	
6	DE 1510 37	Disc Pad Set	1	
7	DE 1510 43	Insulator	1	
8	DJ 1510 73	Protection Boot	1	
9	DJ 1510 74	Minor kit caliper	1	
10	DJ 1510 75	Major kit caliper	1	



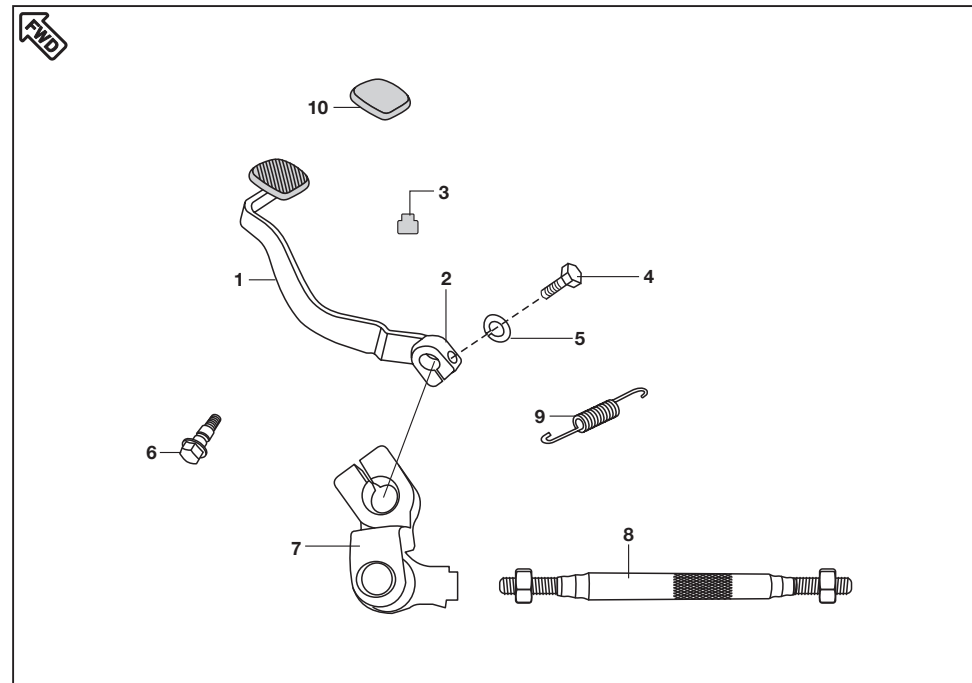
No.	Part No.	Description	Qty/ Veh.	Remarks
1	DK 1510 24	Rear disc	1	
2	39 2686 20	Ball bearing	1	To Check
3	39 2687 20	Ball bearing	1	To Check
4	30 1510 82	Seal oil	1	
5	DK 1510 22	Collar bearing assly.	1	
6	39 1997 15	Nut hex small	6	
7	DK 1510 09	Axel rear	1	
8	DH 1710 19	"U" nut	1	
9	XX XXXX XX	Chain sprocket kit (Spkt no. NA)	1	Ref. page no. 66
10	DJ 1510 88	Coupling rubber	1	
11	JC 1510 16	Coupling	1	
12	DK 1510 13	Ball Bearing	1	
13	DK 1510 15	Sleeve	1	
14	DS 1510 74	Washer lock	6	
15	DS 1510 73	Stud	2	



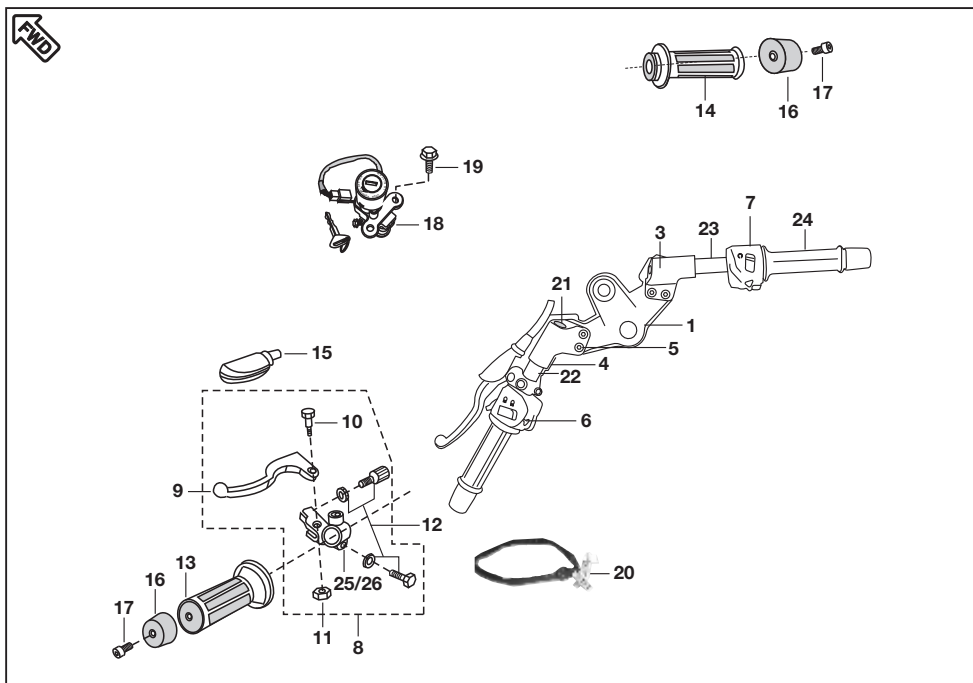
No.	Part No.	Description	Qty/ Veh.	Remarks
16	DK 1510 12	Oil Seal	1	
17	39 2038 04	Bolt socket	6	To Check
18	DK 1510 14	Spacer for coupling	1	
19	39 0794 15	Hex lock nut	1	
20	DK 1510 17	Spacer	1	
21	DG 1510 08	Washer	1	
22	DG 1510 49	Hex soc. HD bolt	6	
23	DG 1510 07	Coller	1	
24	39 0781 11	Plain washer	1	
25	39 0786 15	Hex slotted nut	1	
26	39 0787 08	Pin cotter	1	
27	DK 1510 36	Drive chain lock	1	
28	DK 1510 52	Caliper mounting bracket	1	
29	39 2310 04	Flanged bolt	2	
30	39 2481 04	Flanged bolt	2	



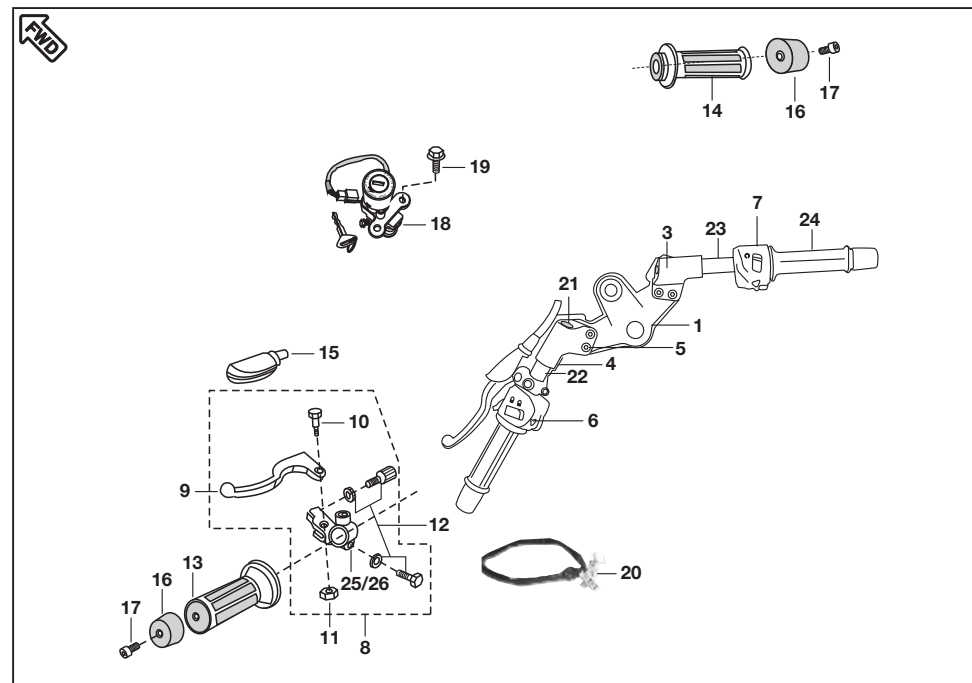
No.	Part No.	Description	Qty/ Veh.	Remarks
1	DK 1510 30	Caliper assembly rear	1	
2	DK 1510 31	Master assembly	1	
3	DK 1510 32	Hose disc brake	1	
4	DK 1510 33	Reservoir rear disc brake	1	
5	DK 1510 34	Reservoir tube	1	
6	39 2310 04	Flange bolt	2	
7	39 2481 04	Flange bolt	2	
8	*****	Caliper bracket bolt	2	
9	39 1769 04	Bolt Flanged	2	
10	DK 1510 41	Spring Pad	1	
11	DE 1510 46	Bleeder Screw	1	
12	DE 1510 47	Bleeder Cap	1	
13	DK 1510 38	Rear Caliper Pad with Shims	1	
14	DE 1510 43	Insulator	1	
15	DK 1510 52	Caliper mounting bracket	1	
16	DK 1510 42	Boot master cylinder	1	
17	DK 1510 43	Push rod assembly	1	
18	DE 1910 15	Rear master cylinder	1	
19	DK 1510 45	Master cylinder cap	1	
20	XX XXXX XX	Clip for reservoir tube	2	



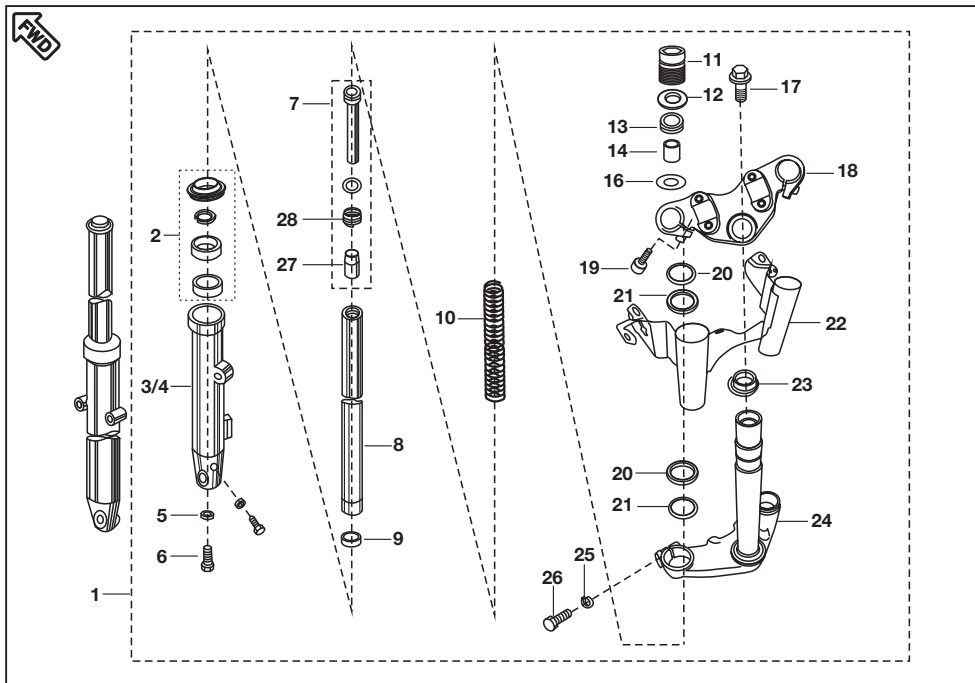
No.	Part No.	Description	Qty/ Veh.	Remarks
1	DK 1910 12	Lever Brake Pedal	1	
2	DK 1011 84	Boss lever change	1	
3	DG 1013 39	Damper	1	
4	DK 1011 86	Bolt pivot lever change	1	
5	DK 1011 85	Washer pivot bolt	1	
6	DK 1011 87	Collar pivot bolt	1	
7	DK 1011 77	Lever change arm	1	
8	DK 1011 80	Tie rod	1	
9	DK 1910 13	Spring brake pedal	1	
10	DK 1510 46	Brake pedal rubber	1	



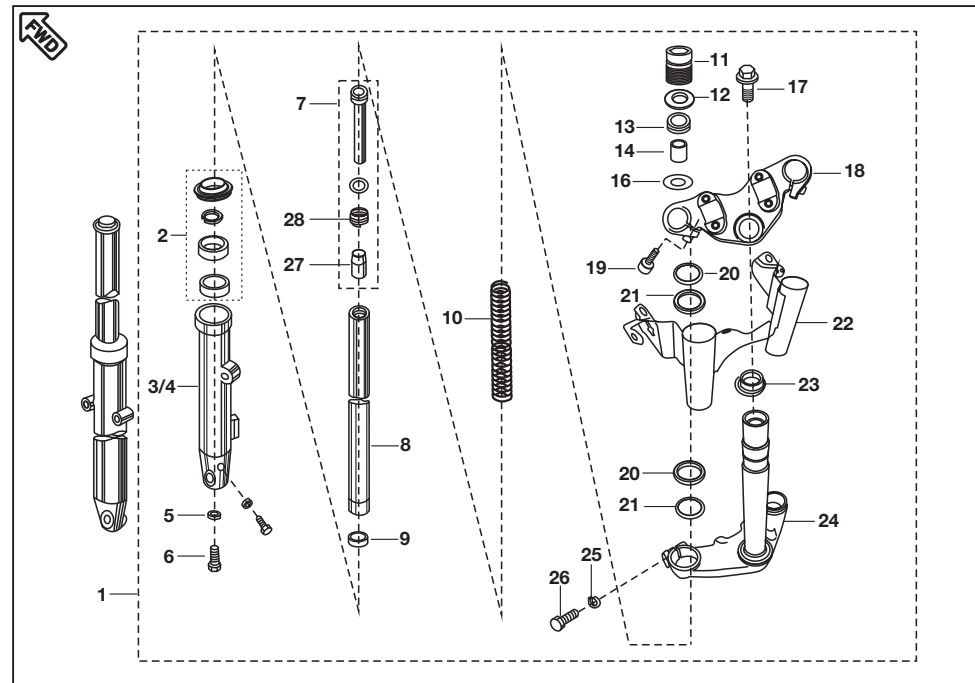
No.	Part No.	Description	Qty/ Veh.	Remarks
1	DK 1810 30	Holder handle	1	
	DK 1810 60	Holder handle	1	For black colour
2	DJ 2011 43	Hall sensor assly.	1	N.I.
3	DK 1810 32	Holder handle RH	1	
	DK 1810 62	Holder handle RH	1	For black colour
4	DK 1810 39	Holder handle LH	1	For black colour
	DK 1810 59	Holder handle LH	1	
5	DG 1810 08	Allen bolt	4	
6	DK 2010 33	Control switch LH	1	
7	DK 2010 34	Control switch RH	1	
8	DJ 1910 09	Lever assly. grip LH	1	
9	DJ 1910 55	Lever LH	1	
10	DL 1910 14	Stud lever handle	1	
11	39 1184 15	Self locking nut	1	
12	36 DK00 19	Kit hardware holder LH	1	Ref. page no. 66
13	DH 1910 07	Grip LH	1	



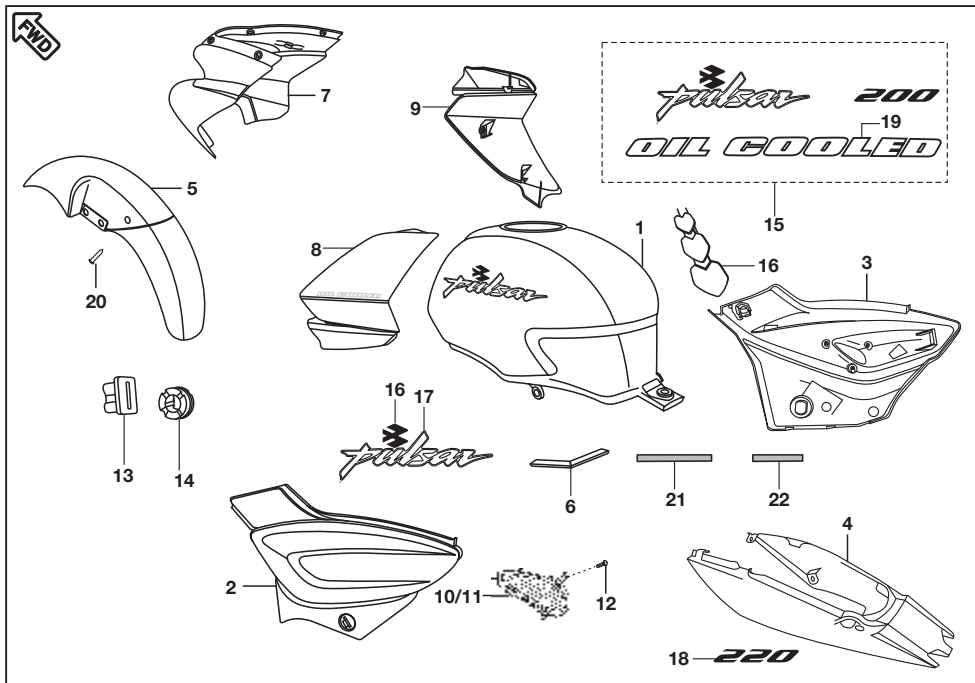
No.	Part No.	Description	Qty/ Veh.	Remarks
14	DH 1910 08	Grip RH	1	
15	DH 1910 19	Boot for lever	1	
16	DH 1810 22	Handle bar weight	2	
17	DH 1810 40	Hex. soc. hd. cap screw	2	Alt. 39 2427 04
18	DJ 1810 39	Pad Holder Handle	1	N.I.
19	DK 2010 15	Switch assly. ignition	1	
20	39 1943 04	Flange bolt	2	
21	DK 2010 83	Clutch Switch	1	(6 Amp.)
22	DK 1810 36	Handle bar plug	2	
23	DK 1810 46	Handle bar tube assly. LH	1	
24	DK 1810 47	Handle bar tube assly. RH	1	
25	DH 1910 17	Pipe throttle	1	
26	DK 2210 22	Mirror holder LH	1	
27	DK 2210 23	Mirror holder RH	1	
28	DK 1810 34	Lock set 4-in-1	1	



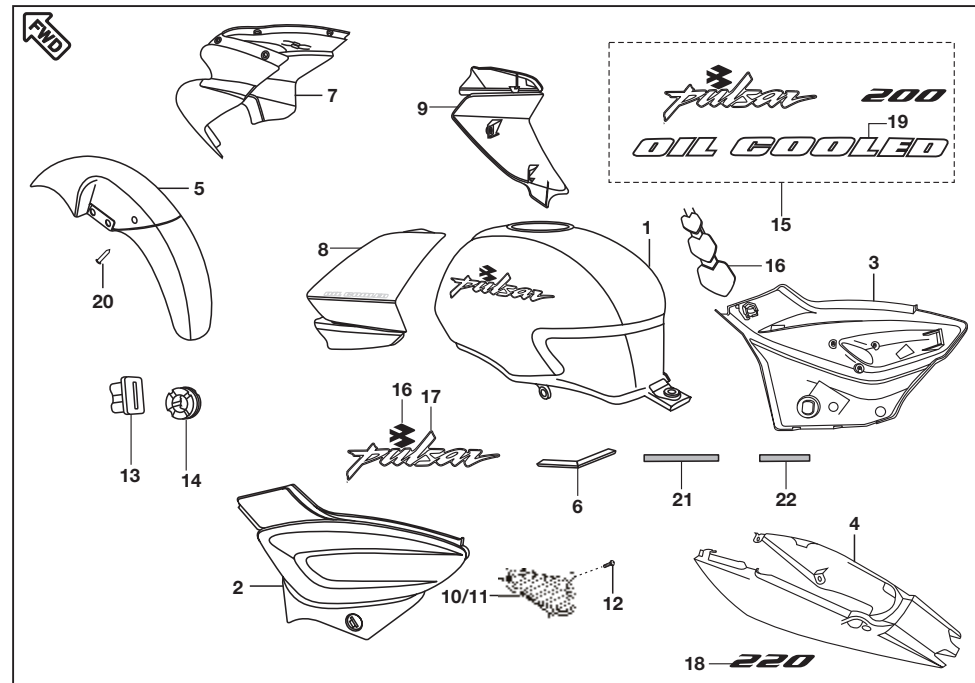
No.	Part No.	Description	Qty/ Veh.	Remarks
1	DK 1810 72	Fork front	1	
2	DK 1810 19	Oil seal	2	
3	DK 1810 56	Outer Tube LH	1	
4	DK 1810 57	Outer Tube RH	1	
5	30 1810 26	Gasket	2	
6	30 1810 25	Bolt	2	
7	DS 1810 77	Cylinder comp. fork	2	
8	DK 1810 70	Pipe comp. suspension inner	2	
9	DK 1810 11	Slide Bush	2	
10	DK 1810 73	Spring front fork	2	
11	DK 1810 22	Bolt fork	2	
12	DK 1810 23	'O' ring	2	
13	30 1810 28	Seat fork spring	2	
14	DK 1810 71	Spacer Tube	2	
15	DK 1810 48	Clamp for brake hose	1	



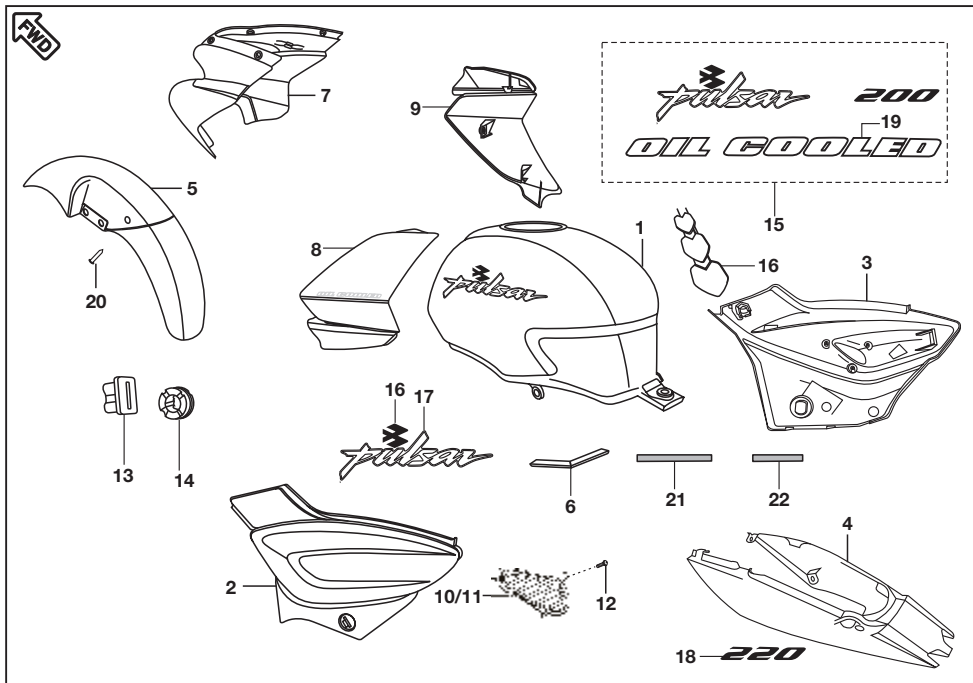
No.	Part No.	Description	Qty/ Veh.	Remarks
16	DK 1810 18	Washer	2	
17	59 0400 05	Bolt	1	
18	DK 1810 27	Holder fork upper	1	
19	DG 1810 08	Socket Bolt	2	
20	JC 1810 23	Cushion Rubber	2	
21	JC 1810 22	Cover Trail B	4	
22	JC 1810 24	Lamp Shade asly.	1	
23	DG 1810 45	Bearing cone	1	
24	DK 1810 24	Holder fork under	1	
25	DK 1810 25	Spring washer	2	
26	DK 1810 26	Bolt	2	
27	DK 1810 17	Guide bush	1	
28	DK 1810 13	Rebound spring	2	



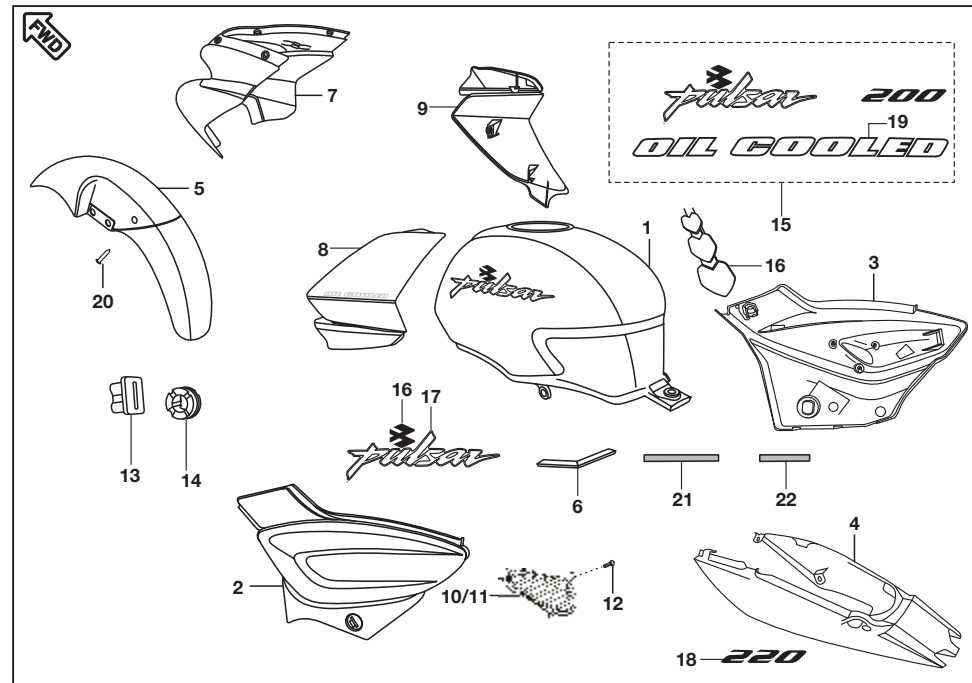
No.	Part No.	Description	Qty/ Veh.	Remarks
1	JC 7104 2V JC 7104 4K JC 7104 4L JC 7104 4M	Fuel Tank Fuel Tank Fuel Tank Fuel Tank	1 1 1 1	FOR WINE RED FOR PLASMA BLUE FOR MISTY GREY FOR MIDNIGHT BLACK
2	DH 7301 2V DH 7301 4K DH 7301 4L DH 7301 4M	Side cover LH Side cover LH Side cover LH Side cover LH	1 1 1 1	FOR WINE RED FOR PLASMA BLUE FOR MISTY GREY FOR MIDNIGHT BLACK
3	DH 7302 2V DH 7302 4K DH 7302 4L DH 7302 4M	Side cover RH Side cover RH Side cover RH Side cover RH	1 1 1 1	FOR WINE RED FOR PLASMA BLUE FOR MISTY GREY FOR MIDNIGHT BLACK
4	DK 7303 2T DK 7303 2V DK 7303 3A DK 7303 X3	Sear Cowl Assly. Sear Cowl Assly. Sear Cowl Assly. Sear Cowl Assly.	1 1 1 1	FOR WINE RED FOR PLASMA BLUE FOR MISTY GREY FOR MIDNIGHT BLACK



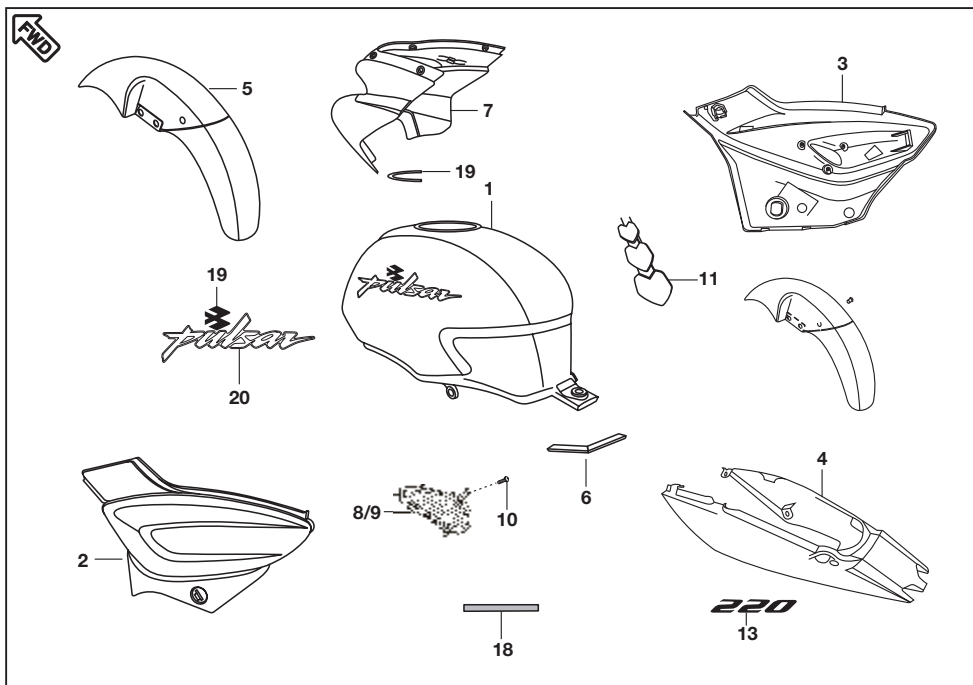
No.	Part No.	Description	Qty/ Veh.	Remarks
5	DK 7402 2T DK 7402 2V DK 7402 3A DK 7402 X3	Front Fender Front Fender Front Fender Front Fender	1 1 1 1	FOR WINE RED FOR PLASMA BLUE FOR MISTY GREY FOR MIDNIGHT BLACK
6	DH 1410 20	Seat tape	1	
7	JC 7301 2V JC 7301 4K JC 7301 4L JC 7301 4M	Fairing Fairing Fairing Fairing	1 1 1 1	FOR WINE RED FOR PLASMA BLUE FOR MISTY GREY FOR MIDNIGHT BLACK
8	DJ 7501 2V DJ 7501 4K DJ 7501 4L DJ 7501 4M	Tank flap LH Tank flap LH Tank flap LH Tank flap LH	1 1 1 1	FOR WINE RED FOR PLASMA BLUE FOR MISTY GREY FOR MIDNIGHT BLACK



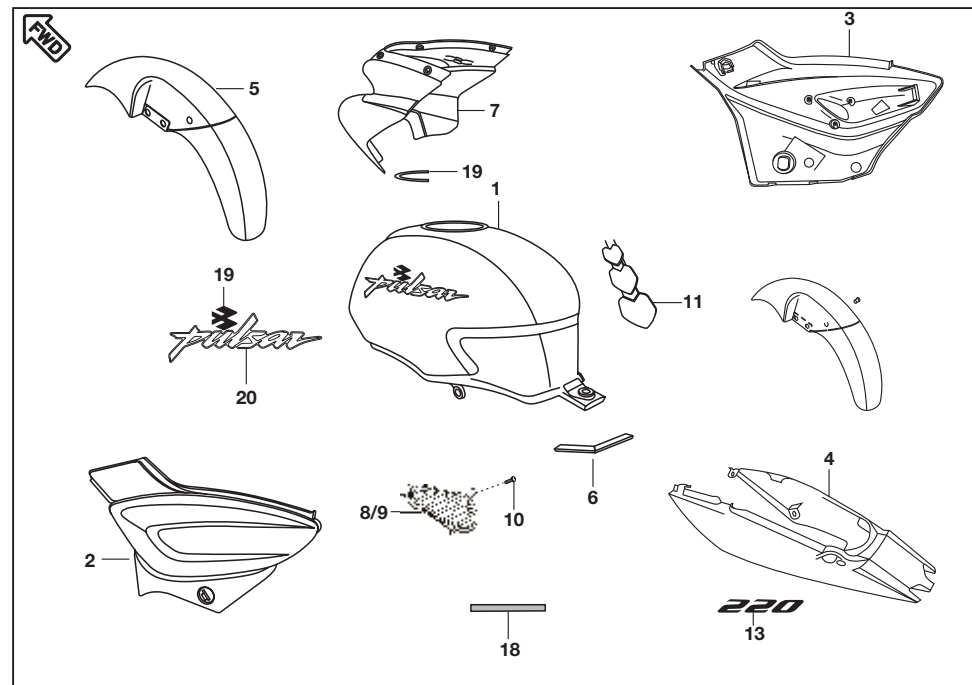
No.	Part No.	Description	Qty/ Veh.	Remarks
9	JC 7202 2T	Tank flap RH	1	FOR WINE RED
	JC 7202 2V	Tank flap RH	1	FOR PLASMA BLUE
	JC 7202 3A	Tank flap RH	1	FOR MISTY GREY
	JC 7202 X3	Tank flap RH	1	FOR MIDNIGHT BLACK
10	DK 1611 23	Cover Side Mesh LH	1	
11	DK 1611 24	Cover Side Mesh RH	1	
12	59 0200 01	Self tap screw	6	
13	JC 1410 15	Grommet	2	
14	JC 1410 17	Grommet	4	
15	JC 1610 19	Seat cowl decal	2	
16	DK1410 15	Tank Pad	1	
17	DK 1612 09	Foam Tape I	4	
18	DK 1612 10	Foam Tape II	2	



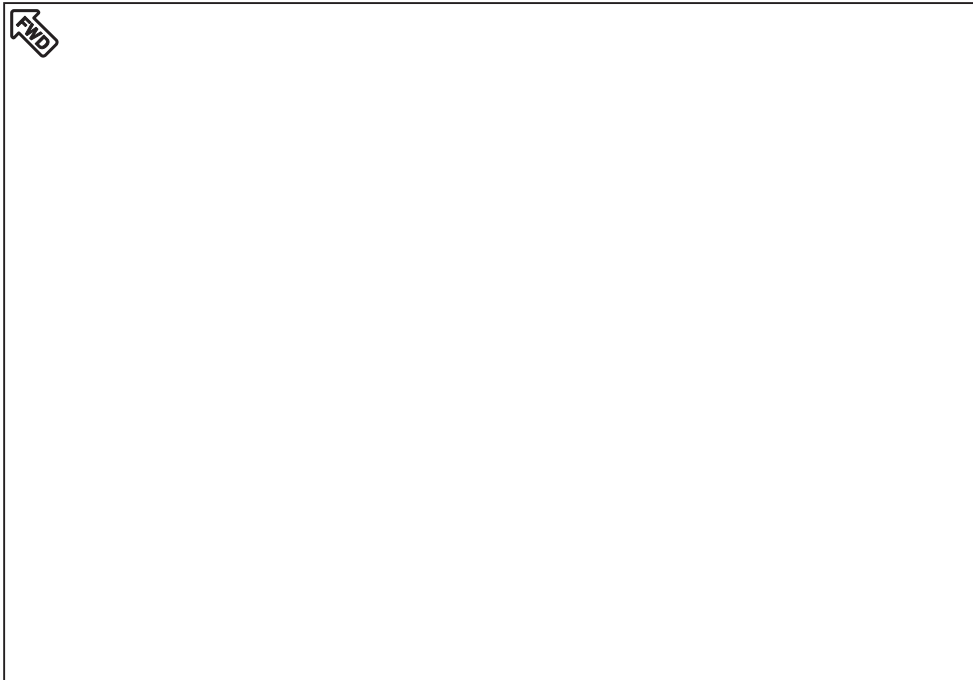
No.	Part No.	Description	Qty/ Veh.	Remarks
22	JC 1410 43	Oil cool decal LH	1	FOR WINE RED
	JC 1410 45	Oil cool decal LH	1	FOR PLASMA BLUE
23	JC 1410 47	Oil cool decal LH	1	FOR MISTY GREY
	JC 1410 41	Oil cool decal LH	1	FOR MIDNIGHT BLACK
24	JC 1410 44	Oil cool decal RH	1	FOR WINE RED
	JC 1410 46	Oil cool decal RH	1	FOR PLASMA BLUE
25	JC 1410 48	Oil cool decal RH	1	FOR MISTY GREY
	JC 1410 42	Oil cool decal RH	1	FOR MIDNIGHT BLACK
26	JC 1410 35	Pulsar tank decal LH	1	FOR RED, BLUE, BLACK
	JC 1410 51	Pulsar tank decal LH	1	FOR SILVER
27	JC 1410 36	Pulsar tank decal RH	1	FOR RED, BLUE, BLACK
	JC 1410 52	Pulsar tank decal RH	1	FOR SILVER
28	JC 1410 49	'B' monogram LH	1	FOR RED, BLUE, BLACK
	JC 1410 53	'B' monogram LH	1	FOR SILVER
29	JC 1410 50	'B' monogram RH	1	FOR RED, BLUE, BLACK
	JC 1410 54	'B' monogram RH	1	FOR SILVER
30	xx xxxx xx	Decal for seat cowl	2	FOR WINE RED
	xx xxxx xx	Decal for seat cowl	2	FOR PLASMA BLUE
	xx xxxx xx	Decal for seat cowl	2	FOR MISTY GREY
	xx xxxx xx	Decal for seat cowl	2	FOR MIDNIGHT BLACK



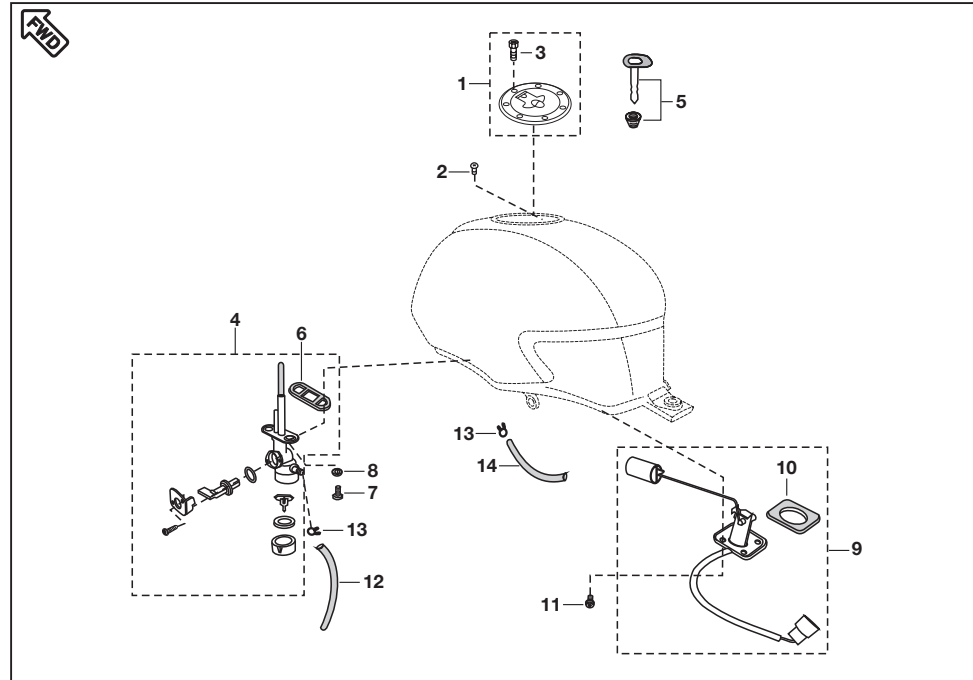
No.	Part No.	Description	Qty/ Veh.	Remarks
1	DK 7103 2V	Fuel Tank	1	FOR WINE RED
	DK 7103 4K	Fuel Tank	1	FOR PLASMA BLUE
	DK 7103 4L	Fuel Tank	1	FOR GREY SILVER
	DK 7103 4M	Fuel Tank	1	FOR MIDNIGHT BLACK
2	DH 7306 2V	Side cover LH	1	FOR WINE RED
	DH 7301 4K	Side cover LH	1	FOR PLASMA BLUE
	DH 7301 4L	Side cover LH	1	FOR GREY SILVER
	DH 7301 4M	Side cover LH	1	FOR MIDNIGHT BLACK
3	DH 7307 2V	Side cover RH	1	FOR WINE RED
	DH 7302 4K	Side cover RH	1	FOR PLASMA BLUE
	DH 7302 4L	Side cover RH	1	FOR GREY SILVER
	DH 7302 4M	Side cover RH	1	FOR MIDNIGHT BLACK
4	DH 7308 2V	Seat Cowl Assly.	1	FOR WINE RED
	DH 7303 4K	Seat Cowl Assly.	1	FOR PLASMA BLUE
	DH 7303 4L	Seat Cowl Assly.	1	FOR GREY SILVER
	DH 7303 4M	Seat Cowl Assly.	1	FOR MIDNIGHT BLACK
5	DK 7403 2V	Front Fender	1	FOR WINE RED
	DK 7403 4K	Front Fender	1	FOR PLASMA BLUE
	DK 7403 4L	Front Fender	1	FOR GREY SILVER
	DK 7403 4M	Front Fender	1	FOR MIDNIGHT BLACK
6	DH 1410 20	Seat tape	1	



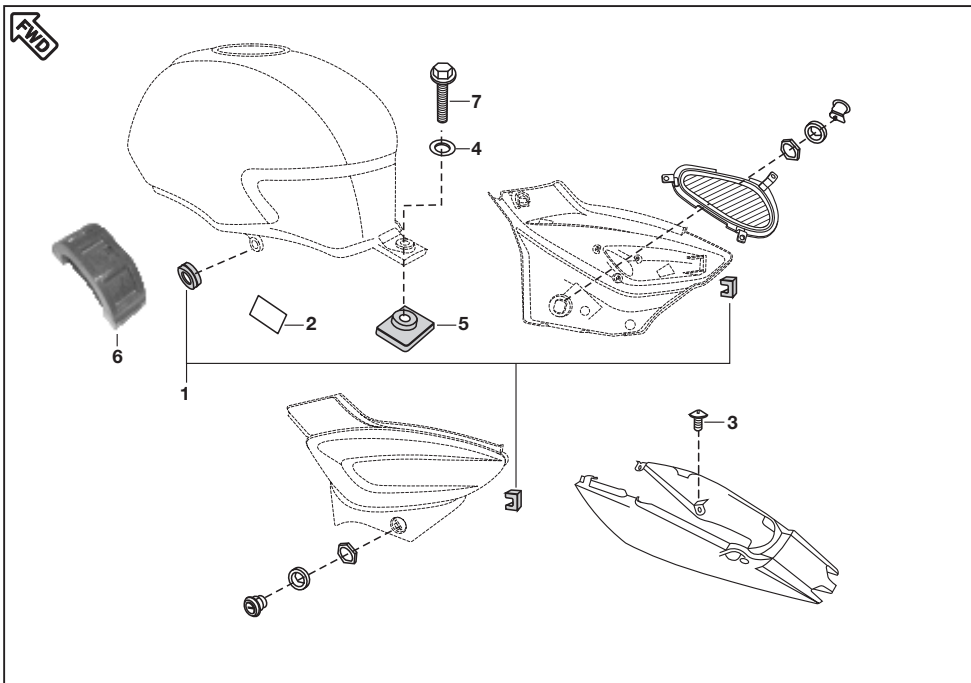
No.	Part No.	Description	Qty/ Veh.	Remarks
7	DK 7401 2V	Fairing	1	FOR WINE RED
	DK 7401 4K	Fairing	1	FOR PLASMA BLUE
	DK 7401 4L	Fairing	1	FOR GREY SILVER
	DK 7401 4M	Fairing	1	FOR MIDNIGHT BLACK
8	DK 1611 23	Cover Side Mesh LH	1	
9	DK 1611 24	Cover Side Mesh RH	1	
10	59 0200 01	Self tap screw	6	
11	DK 1410 15	Tank Pad	1	
12	DS 1611 25	Guide cable	1	
13	DK 1612 25	Decal for seat cowl	1	FOR WINE RED
	DK 1612 26	Decal for seat cowl	1	FOR PLASMA BLUE
	DK 1612 27	Decal for seat cowl	1	FOR GREY SILVER
	DK 1612 28	Decal for seat cowl	1	FOR MIDNIGHT BLACK
14	DJ 1610 69	Nail guide cable	1	From June 08
15	*****	Fairing monogram	1	
16	JC 1410 49	'B' monogram	1	FOR RED, BLUE, BLACK
	JC 1410 53	'B' monogram	1	FOR SILVER
17	JC 1410 35	Pulsar tank decal	1	FOR RED, BLUE, BLACK
	JC 1410 51	Pulsar tank decal	1	FOR SILVER
18	DK 1612 10	Foam Tape II	16	
19	DK 1810 74	Beading for fairing	1	



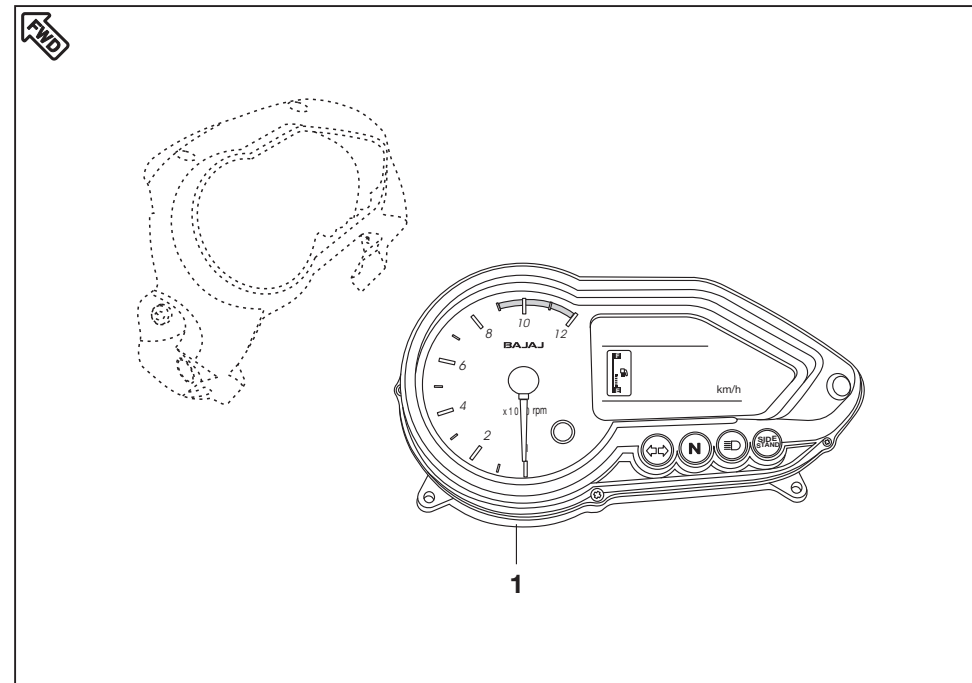
No.	Part No.	Description	Qty/ Veh.	Remarks



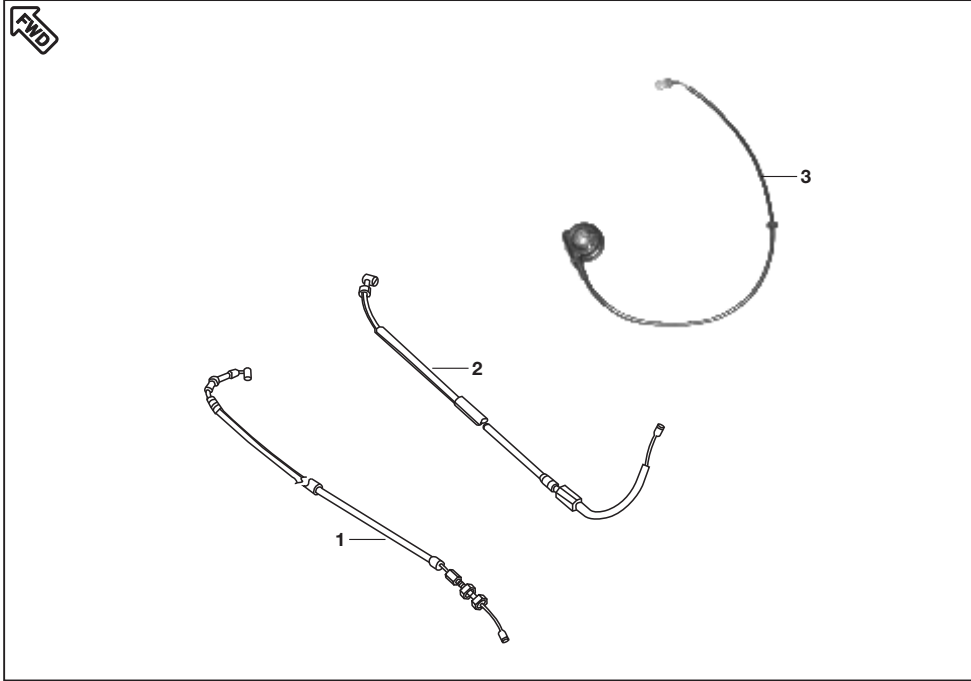
No.	Part No.	Description	Qty/ Veh.	Remarks
1	DK 1410 14	Cap Assly. Tank	1	Alt. 39 1780 01
2	39 0840 01	Pan head screw	1	
3	39 2381 04	Hex. Soc Hd. cap screw	7	
4	DK 1410 01	Tap Assly	1	
5	DH 1410 48	Rotor with key	1	
6	30 1410 36	Packing	1	
7	DD 1410 22	Bolt flanged	2	
8	39 0740 11	Plain Washer	2	
9	DK 2010 65	Gauge Fuel	1	
10	39 2758 21	Gasket fuel Gauge	1	
11	30 1410 32	Bolt	4	
12	DJ 1410 06	Tube fuel	1	
13	BA 1220 03	Pipe clip	1	
14	DH 1410 24	Drain tube	1	
15	JC 1410 34	Spring drain tube	1	



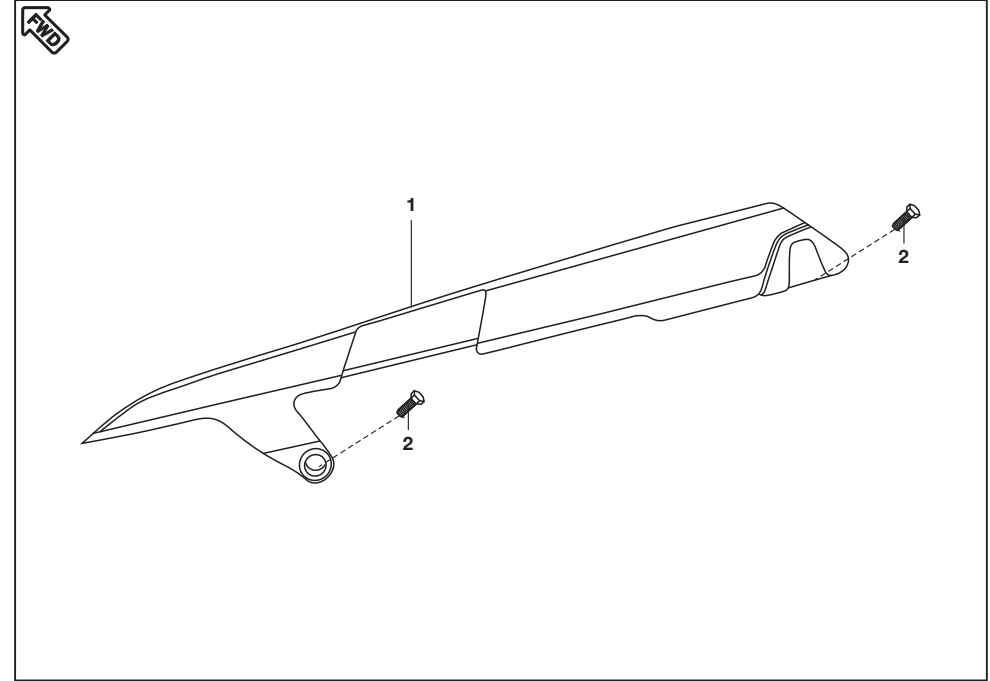
No.	Part No.	Description	Qty/ Veh.	Remarks
1	DK 1611 85	Grommet Kit For side cover	1	Ref. Page No. 66
2	DH 1410 31	Tape tank inner	2	
3	39 1607 01	Screw	2	
4	39 2424 11	Plain Washer	1	
5	DH 1410 23	Damper Rear	1	
6	DJ 1410 08	Damper front	2	
7	39 1556 04	Flanged Bolt	1	



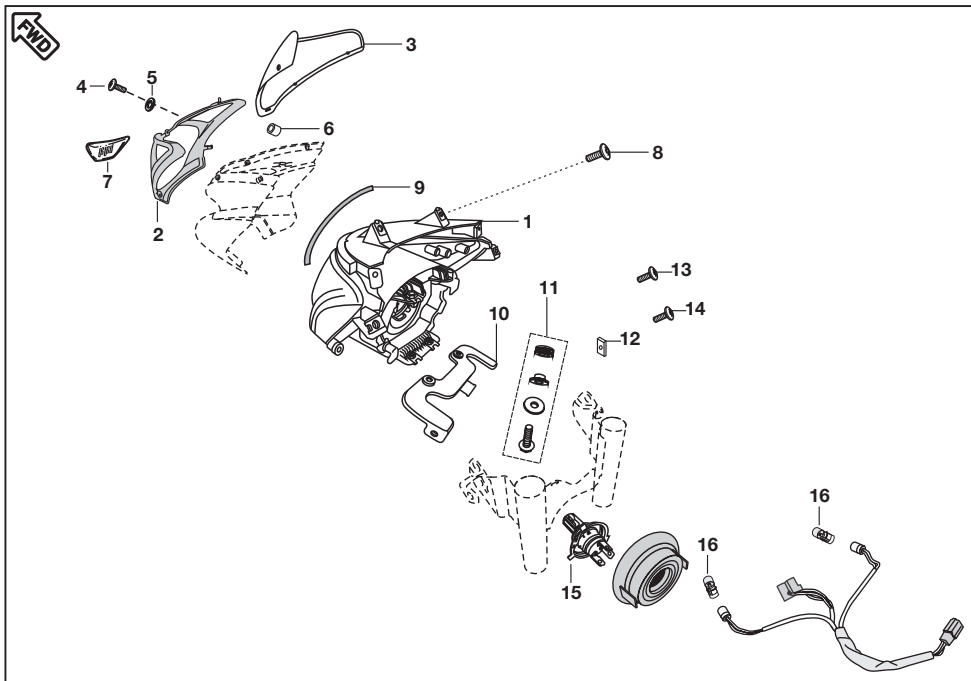
No.	Part No.	Description	Qty/ Veh.	Remarks
1	JC 1910 14	Meter Assly / Instrument Cluster	1	(For S)
	JC 1910 18	Meter Assly / Instrument Cluster	1	(For F)
2	DJ 2011 59	Speedometer top cover	1	
3	DJ 2011 82	Speedo gasket	1	



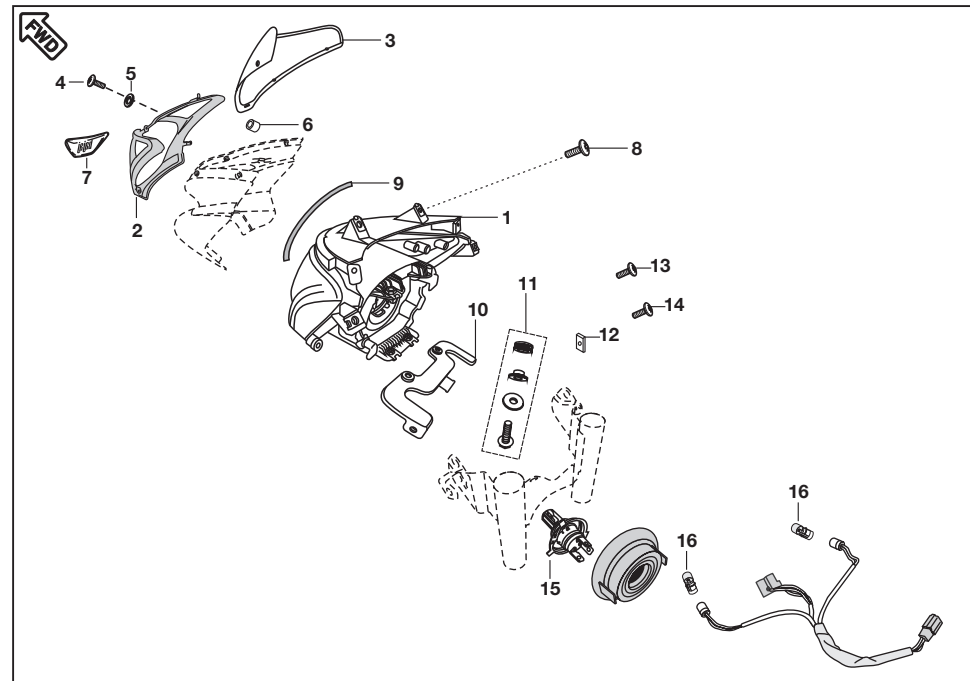
No.	Part No.	Description	Qty/ Veh.	Remarks
1	JC 1910 19	Assembly Throttle	1	
2	JC 1910 04	Cable Clutch	1	
3	JC 2010 43	Sensor speedometer cable	1	(S)
	DK 2010 98	Sensor speedometer cable	1	(F)
4	59 2100 29	'O' ring	1	
5	39 0900 12	Washer	1	
6	39 0840 01	Screw	1	



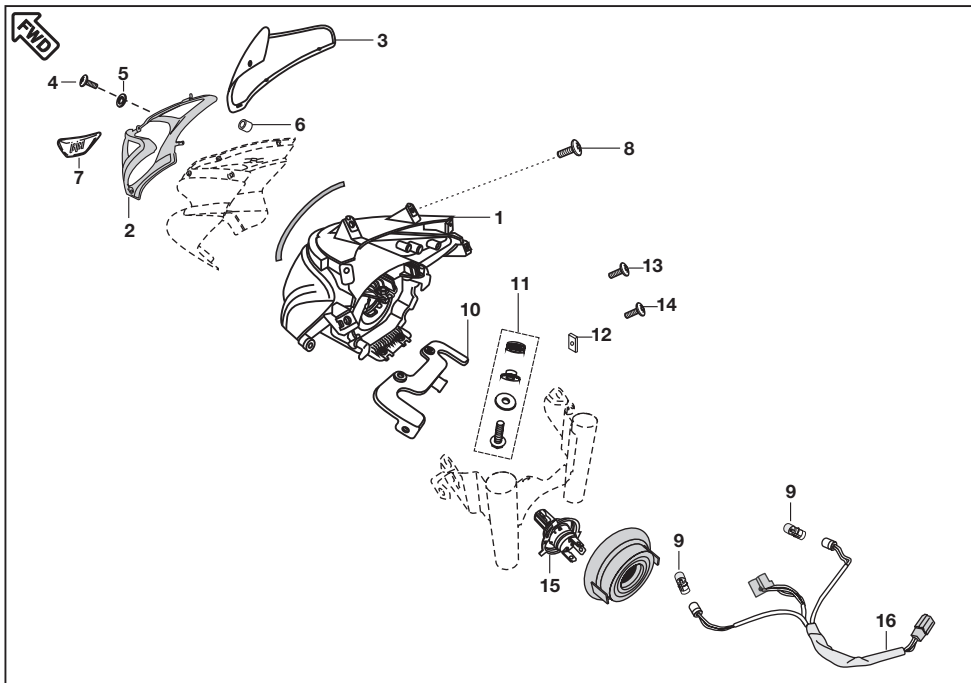
No.	Part No.	Description	Qty/ Veh.	Remarks
1	DK 1611 99	Cover chain	1	
2	DH 1612 83	Bolt	3	



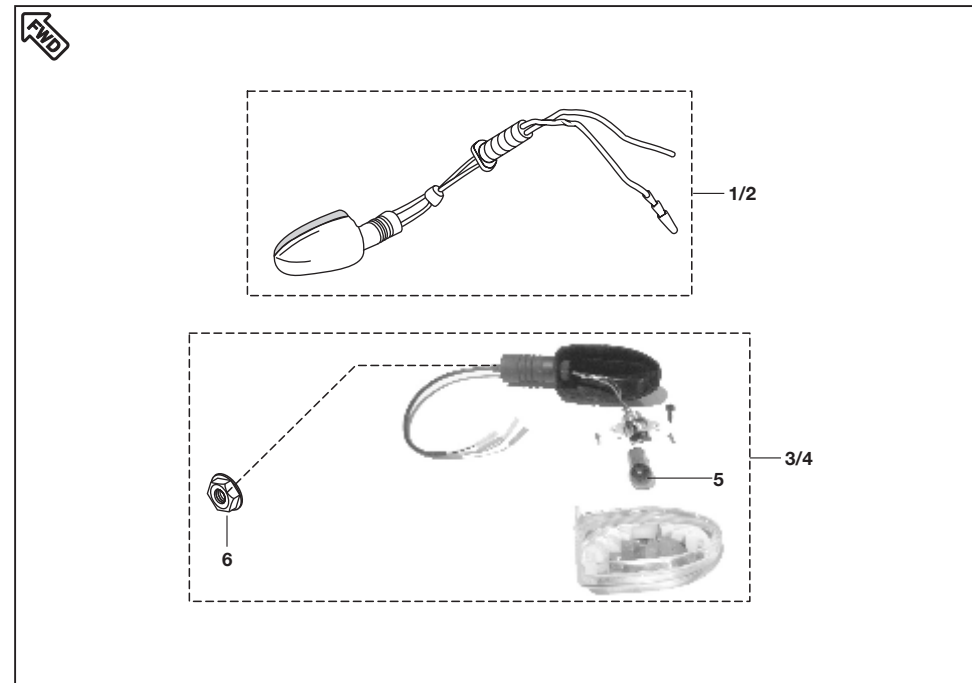
No.	Part No.	Description	Qty/ Veh.	Remarks
1	DJ 2011 76	Head Lamp assly. (w/o bulb)	1	DK 2010 08 (To Check)
2	DJ 1811 20	Mask	1	
3	DJ 1810 33	Wind Shield	1	
4	DF 1810 98	Bolt	4	
5	39 2141 24	Non Metallic Washer	4	
6	DL 1810 10	Well Nut	4	
7	DJ 1810 37	Decal Wind Shield	1	
8	39 1907 01	M5 x 15L mushroom HD	2	
9	DJ 1810 69	Packing Fairing	1	
10	DH 1810 52	Fairing mounting upper bracket	1	
11	36 DK00 21	Kit hardware mtg. bracket	1	Refer Page No. 61
12	DJ 1810 65	Clip Nut	4	



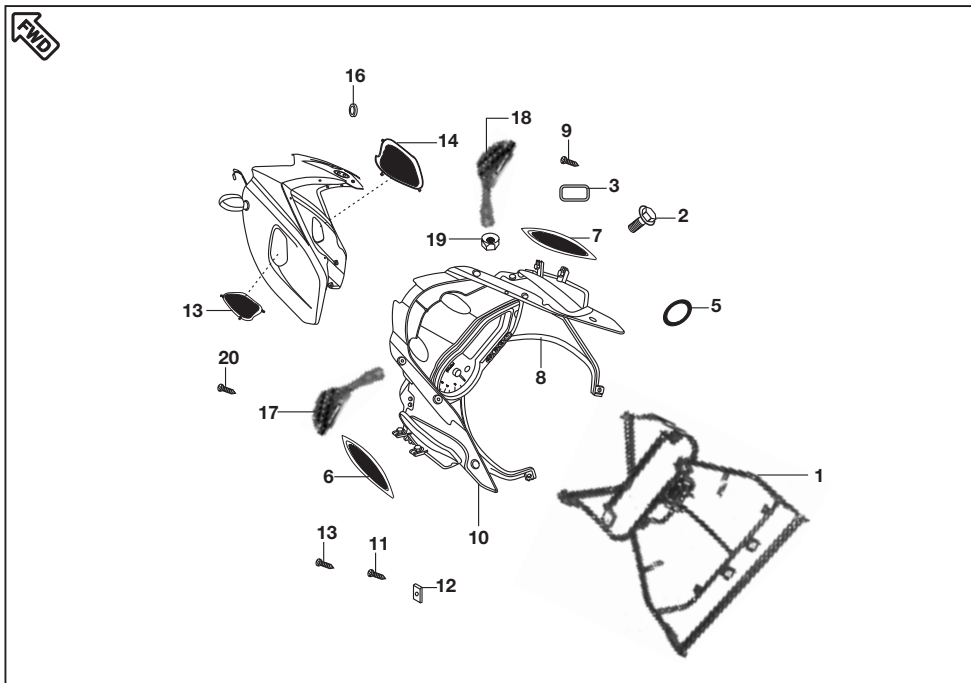
No.	Part No.	Description	Qty/ Veh.	Remarks
13	39 0716 01	Screw pan cross	2	
14	39 1524 01	Screw pan cross	2	
15	JC 2010 09	Lamp 12V 35/35W-HS1	1	
16	DK 2010 44	5 Watt bulb white output	2	



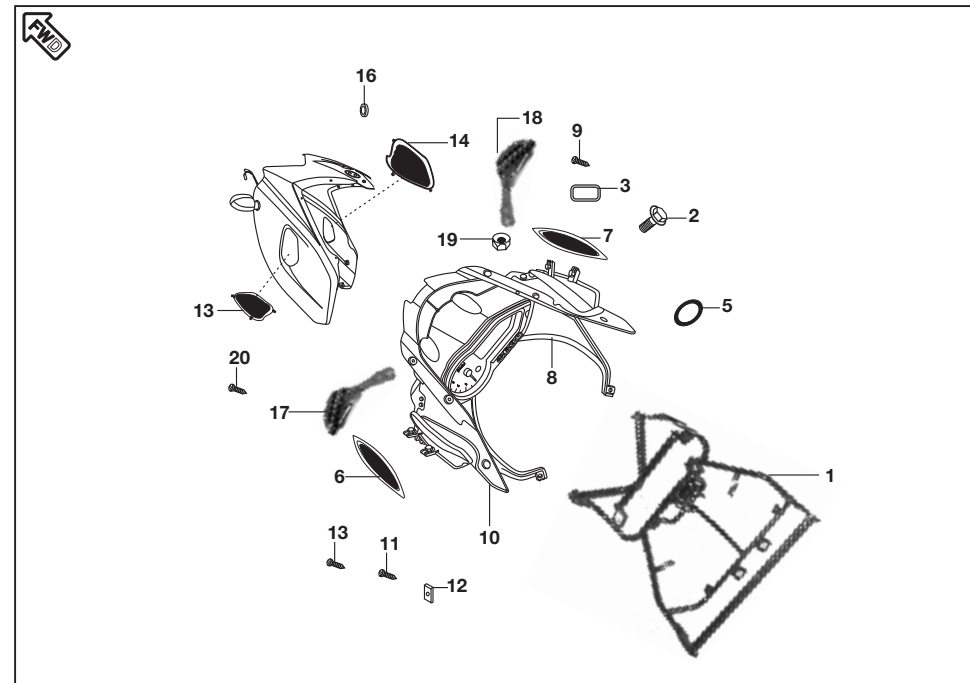
No.	Part No.	Description	Qty/ Veh.	Remarks
1	DK 2010 56	Head Lamp assy. without bulb	1	(For F)
2	DJ 1811 20	Back cover	1	
3	DK 1610 69	Wind Shield	1	
4	DF 1810 98	Bolt	4	
5	39 2141 24	Non Metallic Washer	4	
6	DL 1810 10	Well Nut	4	
7	DK 1612 08	Decal Wind Shield	1	
8	39 1907 01	M5 x 15L mushroom HD	2	
9	DK 2010 44	Bulb	2	
10	DH 1810 52	Fairing mounting upper bracket	1	
11	36 DK00 21	Kit hardware mtg. bracket	1	Ref. page no. 66
12	DJ 1810 65	Clip Nut	4	
13	39 0716 01	Screw pan cross	2	
14	39 1524 01	Screw pan cross	2	
15	DK 2010 43	Headlight bulb	1	
16	DK 2011 17	Wiring harness for HL	1	



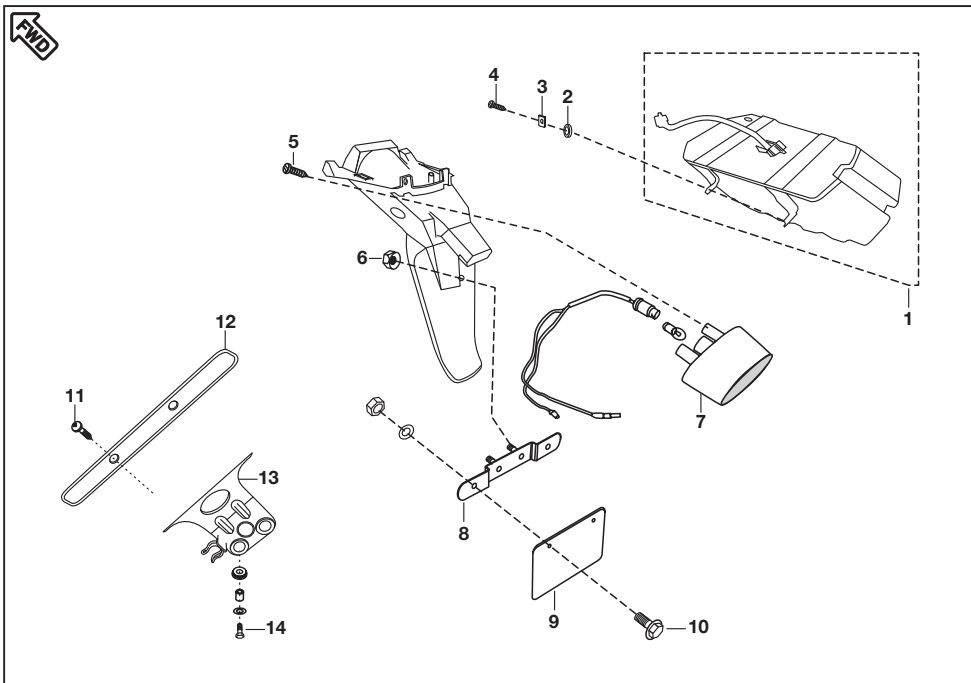
No.	Part No.	Description	Qty/ Veh.	Remarks
1	DJ 2012 08	Indicator front LH	1	
2	DJ 2012 09	Indicator front RH	1	
3	DJ 2012 06	Indicator rear LH	1	
4	DJ 2012 07	Indicator rear RH	1	
5	GH 2010 12	Lamp	1	
6	39 1970 15	Hex Nut Flange	4	
7	DJ 2011 81	Magnet assy blinker self cancellation	1	(For S)
	DK 2010 39	Magnet assy blinker self cancellation	1	(For F)



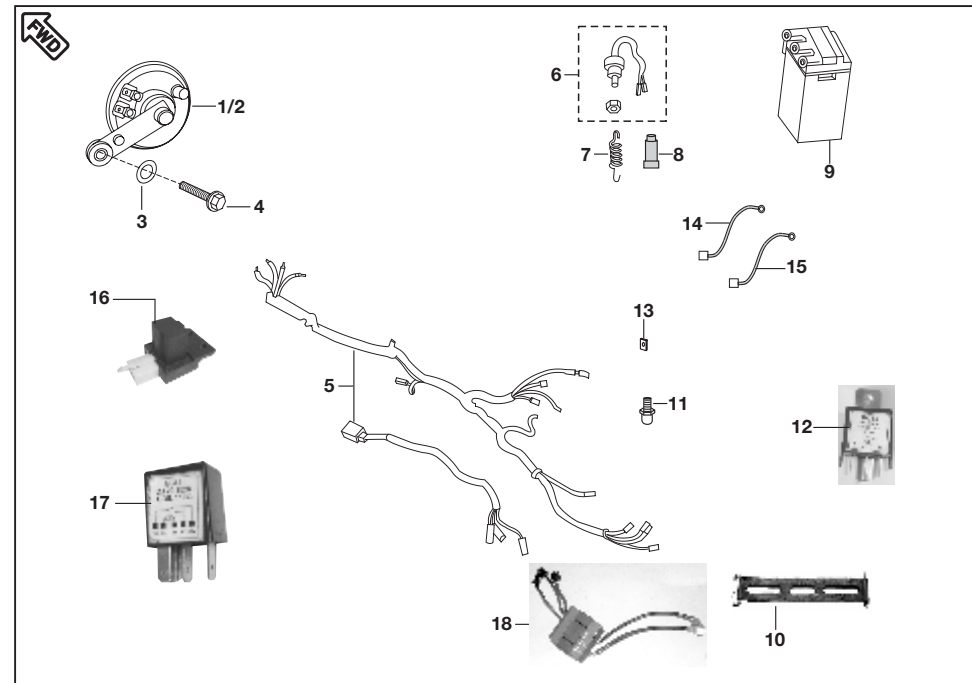
No.	Part No.	Description	Qty/ Veh.	Remarks
1	DK 1610 78	Faring mtg. structure	1	N.I.
2	39 1957 04	Flange bolt	2	
	39 1956 04	Flange bolt	2	
3	DK 1610 81	Rubber grommet fearing mtg.	4	
4	DK 1610 82	Sleeve fearing	1	
5	DK 1611 26	Damper for fearing	4	
6	DK 1610 70	Fearing air intake LH	1	
7	Dk 1610 71	Fearing air intake RH	1	
8	DK 1610 72	Fearing under cover	1	
9	59 0200 01	Self tapping screw	4	
10	DK 1610 73	Fearing back cover assly.	1	
11	39 1778 02	Self tapping screw for speedo	1	
12	DJ 1612 29	Clip nut	1	
13	39 1907 01	Screw	12	
14	DK 1611 76	Fearing mesh LH	1	
15	DK 1610 77	Fearing mesh RH	1	



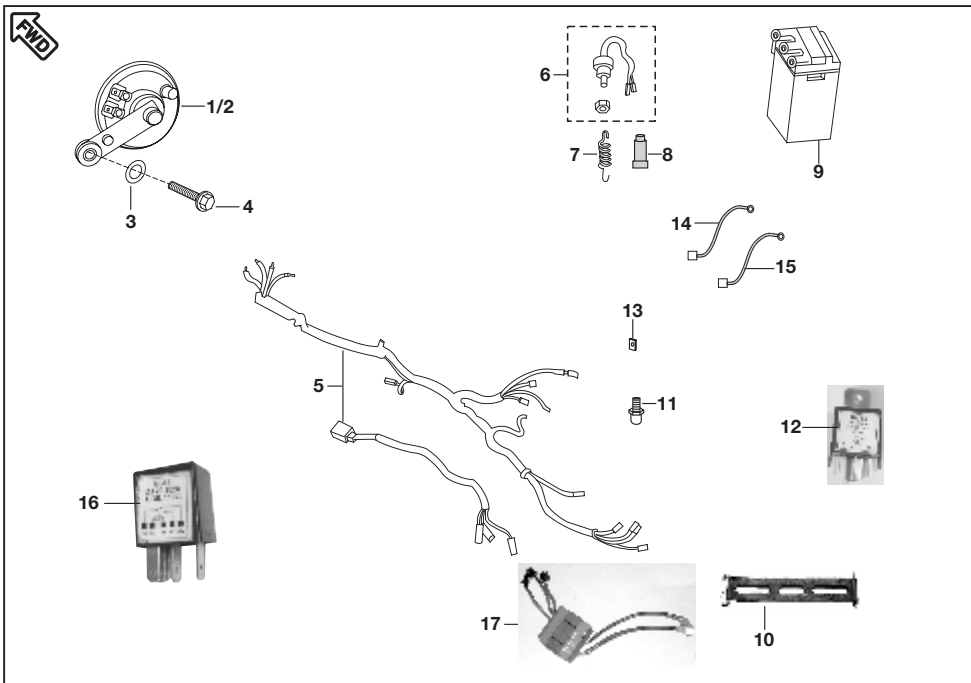
No.	Part No.	Description	Qty/ Veh.	Remarks
16	39 1918 24	Washer	6	N.I.
17	DK 2210 14	Mirror assly. LH	1	
18	DK 2210 15	Mirror assly. RH	1	
19	DK 2210 01	Nut for mirror	1	
20	59 0200 01	Screw (self tapping)	6	
21	DK 1810 74	Beading for fairing	1	
22	DK 1612 10	Tape	16	
23	DK 1611 52	Nylon bush for fairing	2	
24	DK 1611 25	Rubber for mirror	2	



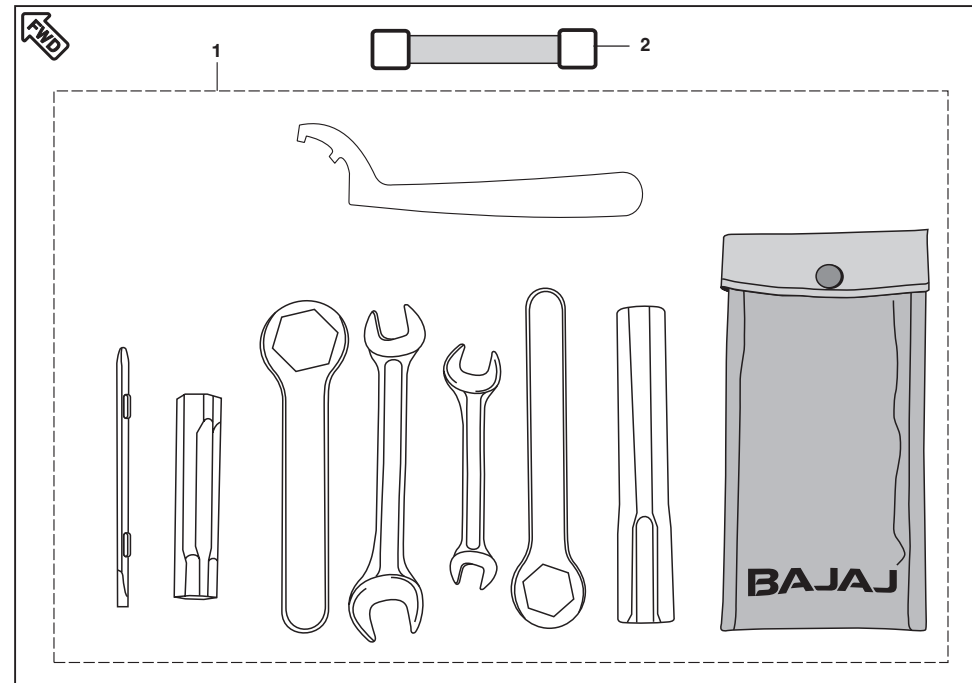
No.	Part No.	Description	Qty/ Veh.	Remarks
1	DK 2010 03	Tail light with Lamp	1	
2	DH 1612 93	Damper	2	
3	DK 1611 53	Clip Nut	4	
4	59 0100 13	Screw pan cross	4	
5	39 0705 01	Truss Screw	2	
6	39 1972 15	Bolt flange	2	
7	JW 4010 11	No. Plate illumination	1	
8	DJ 1610 72	Rear No. plate bkt.	1	
9	DP 1611 45	Number plate Rear	1	
10	39 1680 04	Hex Flanged Bolt	2	
11	39 1783 01	Truss Screw	2	For Front No. Plate
12	DP 1611 44	Number plate front	1	
13	JC 1810 25	No. plate mounting bracket	1	(For S)
	DS 1810 26	No. plate mounting bracket	1	(For F)
14	39 1773 04	Bolt flange	2	
15	DK 1611 64	Blinker mounting bracket	1	



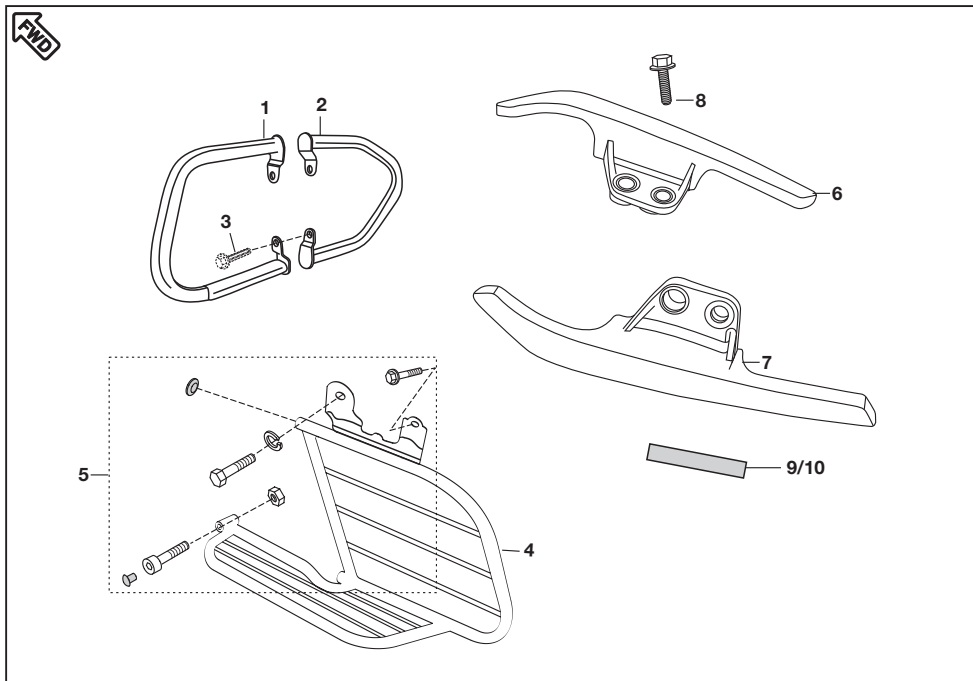
No.	Part No.	Description	Qty/ Veh.	Remarks
1	DH 2010 11	Horn LH stay	1	(For S)
	DK 2010 37	Horn LH stay	1	(For F)
2	DH 2010 14	Horn RH stay	1	(For S)
	DK 2010 38	Horn RH stay	1	(For F)
3	39 1507 11	Plain Washer	1	
4	39 1956 04	Flange Bolt	1	
5	JC 2010 37	Wiring Harness	1	(For S)
	JC 2010 41	Wiring Harness	1	(For F)
6	31 2010 79	Rear Brake Switch	1	Alt. DS 2010 29
7	DK 1910 14	Spring Brake Switch	1	
8	DH 2010 19	Grommet Rear Brake Switch	1	
9	DJ 2011 25	Battery (12V-9A)	1	N.S.
10	DJ 1612 47	Band Battery	1	



No.	Part No.	Description	Qty/ Veh.	Remarks
11	39 1551 04	Flange Bolt	1	
12	DK 2010 78	Starter Relay / Damper	1	
13	DJ 1810 65	Clip Nut	4	
14	DJ 2010 20	Cable assly. (Battery to St. Relay)	1	
15	DK 2010 28	Cable assly. (Battery to Earth)	1	
16	AL 2010 12	Main relay	1	
17	JC 2010 16	B.C.U.	1	(For S)
	JC 2010 40	B.C.U.	1	(For F)
18	DJ 2010 44	Diode unit	1	N.I.
19	DJ 2012 02	Regulator	1	(For S)
	DK 2010 01	Regulator	1	(For F)
20	39 1944 04	Flange bolt	1	



No.	Part No.	Description	Qty/ Veh.	Remarks
1	DK 2210 11	Tool Kit	1	
*	DF 2010 43	Tool Driver	1	
*	DH 2210 05	Tool Wrench (Box 16 mm)	1	
*	DG 2210 40	Tool Wrench (10 X 13)	1	
*	DG 2210 11	Tool Wrench (14 X 17)	1	
*	30 2210 10	Plier	1	For reference only not to service separately
*	DJ 2210 13	Tool Bag	1	
*	DJ 2210 07	Tool wrench (27/22 A/F)	1	
*	DJ 2210 12	Tool bar	1	
*	DG 2210 10	Tool wrench	1	
2*	DK 2210 24	"O" ring for tool kit	2	



No.	Part No.	Description	Qty/ Veh.	Remarks
1	36 DK00 33	Leg Guard Kit	1	
3	39 2310 04	Flange bolt	4	
4	DK 1611 76	Sari Guard Assly.	1	
5	36 DK00 23	Kit hardware sari guard	1	Ref. page no. 66
6	DK 1611 47	Grab handle LH	1	
	DK 1612 17	Grab handle LH	1	For black colour
7	DK 1611 48	Grab handle RH	1	
	DK 1612 18	Grab handle RH	1	For black colour
8	39 2310 04	Bolt Flange	4	
9	DJ 1610 79	Foam LH For grab	1	
10	DJ 1610 80	Foam RH For grab	1	

Sr. No.	Kit Part No.	Kit Description	Consisting of Following Parts		
			Part No.	Description	Qty./Kit
1	36DS1001	Cyl.Head O Ring Kit	39239121	O Ring (Cover tappet)	2
			39128321	O ring	2
2	DK101327	Valve Kit	DK101052	Valve Intake	1
			DK101011	Valve Exhaust	1
3	DK101326	Valve Repair Kit	DK101247	Retainer valve spring	2
			DK101108	Spring valve inner	2
			DK101110	Spring valve outer	2
			DK101246	Seat valve spring	2
4	DK101330	Guide Chain Kit	DK101060	Guide chain (Tight)	1
			DK101059	Guide Chain (slack)	1
5	DK101328	Ring set piston	DK101049	Ring piston top	1
			DK101050	Ring piston second	1
			DK101051	Ring piston oil	1
6	36DK0007	Kit centrifugal oil filter	39220011	Washer	1
			DH101234	Gasket centrifugal oil filter	1
			39226701	Oval screw	1
			DH101066	Join oil delivery	1
			DH101067	Spring oil delivery	1
			39219908	Pin oil delivery joint	1
7	DK101334	Set Damper (cover magneto)	DK101191	Damper Cover Magneto	1
			DH101292	Damper A Cover LH RR	1
			DH101294	Damper B Cover LH RR	1
8	DK101333	Set of Plate (cover magneto)	DK101192	Plate Damper	1
			DH101293	Plate Damper Cover LH RR	1
9	36DK0011	Kit hardware engine mounting	39231204	Bolt flange	4
			39197015	Nut flange	8
			39241304	Bolt flange	1
			DH161245	U Nut	3
10	36DV0007	Bearing cone kit	DG181045	Bearing cone	1
			DG181046	Bearing race	1
			DG181047	Upper bearing race	1
			DG181005	Lower bearing race	1
11	36DK0012	Kit bush rear shock absorber	39071411	Plain washer	8
			39071215	Dome cap nut	2
			39073712	Spring washer	2
12	36DK0013	Kit hardware pillion	DJ161186	Plait side pillion step	2
			DH161061	Pin pillion set	2
			30141031	"O" ring	2
			39104011	Plain washer	2
			39078408	Split pin	2
13	36DK0024	Chain sprocket kit	DV101048	Sprocket drive	1
			DK151025	Sprocket	1
			DK151010	Chain	1





## PART INDEX

Part No.	Figure No.	Page No.
39168004	24	27
39168004	7	30
39168004	5	34
39168004	10	60
39168606	8	7
39168606	4	25
39170504	16	2
39174104	8	33
39175904	19	2
39176904	2	39
39176904	8	42
39177304	14	60
39177802	2	53
39177802	11	58
39178001	3	22
39178301	11	60
39184504	20	14
39188020	11	19
39190204	6	24
39190204	22	27
39190701	8	56
39190701	13	58
39191824	16	59
39193120	6	6
39194304	20	45
39195604	4	61
39195704	2	58
39196704	10	29
39197015	6	57
39197215	6	60
39199020	21	16
39199715	6	40
39199819	11	11
39201719	5	3
39213217	5	5
39214124	5	56
39215220	5	7
39215704	7	29
39215811	2	8
39216011	9	8
39216511	3	6
39218006	8	12
39218106	2	5
39218304	2	6
39218520	10	13

Part No.	Figure No.	Page No.
39218819	4	13
39219019	12	13
39219421	6	25
39220011	17	19
39220307	8	6
39220804	9	17
39224120	2	37
39224120	2	40
39224220	3	40
39230504	22	14
39231004	13	29
39231004	6	42
39231004	3	64
39231004	8	64
39231104	14	29
39238104	3	50
39241204	8	29
39241404	11	29
39242411	4	52
39244311	17	16
39244811	25	14
39245304	6	11
39245711	15	29
39248415	9	50
39254220	3	4
39254717	26	16
39255717	7	7
39258320	6	12
39260120	9	12
39260320	8	13
39260607	7	10
39260801	11	2
39261720	4	4
39263704	8	21
39263904	6	10
39264715	6	1
39266921	1	4
39275821	8	50
59010013	4	60
59020001	10	49
59020001	9	58
59020001	20	59
59040023	8	1
59040031	9	4
59040037	16	51

## PART INDEX

Part No.	Figure No.	Page No.
59040040	2	34
59050002	3	12
59050002	2	13
59100002	17	27
59110002	9	3
59120004	6	20
59200007	9	28
59200006	9	13
59200027	7	12
59210006	5	13
59210008	15	2
AA141048	11	50
AA141048	21	51
AP101043	13	17
AP111010	17	2
CS101128	14	4
DD101062	15	4
DD111012	15	26
DD141227	5	50
DD201024	20	27
DE151008	6	37
DE151012	5	37
DE151015	1	38
DE151037	6	39
DE151043	7	39
DE151043	13	42
DE151046	4	39
DE151046	10	42
DE151047	5	39
DE151047	11	42
DE151048	3	39
DE151048	9	42
DE191010	5	38
DE191011	4	38
DE191015	9	33
DE191020	10	33
DE191021	11	33
DE191023	12	33
DE191024	13	33
DE191025	14	33
DE191026	15	33
DE191028	14	38
DE191029	13	38
DE191030	10	38
DE191033	6	38

Part No.	Figure No.	Page No.
DE191035	15	38
DE201016	12	38
DF161102	9	35
DF181098	4	56
DG101029	4	3
DG101339	3	43
DG101418	7	15
DG121002	5	22
DG141028	13	50
DG151005	4	37
DG151007	12	37
DG151007	20	41
DG151008	18	41
DG151049	10	37
DG151049	19	41
DG151089	1	39
DG171018	5	31
DG171019	7	31
DG171020	12	31
DG171021	11	31
DG171034	10	31
DG171038	2	31
DG181008	5	44
DG181008	19	47
DG181042	4	30
DG181045	23	47
DG181048	3	30
DG221040	2	63
DH101006	5	12
DH101048	8	4
DH101064	10	6
DH101065	12	6
DH101072	2	7
DH101079	4	8
DH101079	13	8
DH101084	8	8
DH101111	15	8
DH101113	10	26
DH101141	4	15
DH101142	5	15
DH101144	3	11
DH101146	3	10
DH101154	12	15
DH101163	17	28
DH101164	15	28

## PART INDEX

Part No.	Figure No.	Page No.
DH101169	23	14
DH101172	7	28
DH101180	16	19
DH101188	8	28
DH101195	11	6
DH101197	2	15
DH101199	7	26
DH101203	13	13
DH101235	5	8
DH101246	14	13
DH101272	10	1
DH101275	2	18
DH101292	7	17
DH101293	11	17
DH101294	8	17
DH101319	18	9
DH101333	19	9
DH101336	11	8
DH101372	13	28
DH101382	10	28
DH101383	4	12
DH101385	5	28
DH101388	19	16
DH101389	14	28
DH101392	11	4
DH101393	7	11
DH101394	10	11
DH101407	5	2
DH101412	7	4
DH101414	7	5
DH101435	10	7
DH101482	22	16
DH101487	10	12
DH101493	4	10
DH101496	9	10
DH101503	8	11
DH101508	4	2
DH101510	18	16
DH101520	15	19
DH101533	18	28
DH101544	16	16
DH101581	4	28
DH101607	3	23
DH101608	2	23
DH101658	3	28

Part No.	Figure No.	Page No.
DH101661	16	14
DH101705	1	11
DH101714	2	11
DH101781	2	28
DH101782	1	28
DH101784	19	14
DH111012	10	2
DH111015	14	26
DH111016	25	27
DH121010	3	25
DH121011	14	15
DH121012	15	15
DH121015	13	15
DH121020	2	22
DH121035	5	25
DH121038	8	2
DH121106	7	2
DH141020	6	49
DH141023	5	52
DH141024	12	50
DH141031	2	52
DH161046	3	24
DH161053	4	32
DH161066	7	35
DH161100	7	32
DH161112	2	30
DH161121	4	35
DH161145	5	35
DH161146	8	35
DH161189	2	29
DH161190	3	29
DH161194	5	32
DH161273	9	29
DH161283	2	55
DH161292	13	60
DH161293	2	60
DH161313	3	33
DH161315	4	33
DH171019	8	31
DH171019	8	40
DH181009	11	46
DH181040	17	45
DH181048	22	47
DH181052	10	56
DH191007	13	44

## PART INDEX

Part No.	Figure No.	Page No.
DH191008	14	44
DH191017	25	45
DH191019	15	44
DH201019	8	61
DH201064	11	35
DH211005	2	63
DH221003	2	63
DH221004	1	63
DH221005	1	63
DH73013A	2	48
DH7301X3	2	48
DJ101063	23	9
DJ101064	4	23
DJ101109	16	28
DJ101133	6	7
DJ101134	4	7
DJ101217	2	1
DJ141006	10	50
DJ141008	6	52
DJ151047	13	31
DJ151073	8	39
DJ151076	2	38
DJ151088	10	40
DJ161012	12	17
DJ161067	23	27
DJ161072	8	60
DJ161079	9	64
DJ161080	10	64
DJ161126	1	32
DJ161127	3	32
DJ161132	8	30
DJ161133	9	30
DJ161229	12	58
DJ161247	10	61
DJ181011	16	45
DJ181037	7	56
DJ181039	18	45
DJ181052	21	47
DJ181065	12	56
DJ181065	13	62
DJ181085	20	47
DJ181119	3	53
DJ181120	2	56
DJ191006	3	38
DJ191009	8	44

Part No.	Figure No.	Page No.
DJ191028	7	38
DJ191029	8	38
DJ191030	9	38
DJ191032	11	38
DJ191055	9	44
DJ191061	1	54
DJ201020	14	62
DJ201021	24	14
DJ201028	17	62
DJ201035	21	45
DJ201102	11	26
DJ201125	9	61
DJ201143	2	44
DJ201144	19	62
DJ201146	3	57
DJ201147	4	57
DJ201159	4	53
DJ221007	2	63
DK010003	16	38
DK010004	7	42
DK101001	4	18
DK101003	3	2
DK101057	2	12
DK101063	1	5
DK101064	10	4
DK101065	1	6
DK101070	1	12
DK101072	13	19
DK101073	1	18
DK101075	3	18
DK101076	1	15
DK101079	2	4
DK101084	1	17
DK101087	1	13
DK101092	3	5
DK101094	3	13
DK101097	6	13
DK101025	12	4
DK101100	14	2
DK101101	13	2
DK101102	6	8
DK101103	3	8
DK101104	7	8
DK101105	12	8
DK101106	14	8

## PART INDEX

Part No.	Figure No.	Page No.
DK101107	17	9
DK101111	18	2
DK101112	1	21
DK101115	2	20
DK101116	2	26
DK101117	7	20
DK101118	16	9
DK101122	23	16
DK101123	25	16
DK101124	26	14
DK101125	1	8
DK101126	14	19
DK101135	10	10
DK101135	4	26
DK101145	10	8
DK101149	6	18
DK101150	6	18
DK101151	7	18
DK101152	8	18
DK101153	18	19
DK101154	10	18
DK101155	19	19
DK101159	1	10
DK101160	2	10
DK101163	5	18
DK101176	6	28
DK101177	7	43
DK101180	13	11
DK101180	8	43
DK101182	4	11
DK101184	2	43
DK101185	14	11
DK101185	5	43
DK101186	15	11
DK101186	4	43
DK101187	12	11
DK101187	6	43
DK101191	6	17
DK101192	10	17
DK101220	1	23
DK101222	5	17
DK101224	1	7
DK101225	2	21
DK101235	11	21
DK101236	9	21

Part No.	Figure No.	Page No.
DK101236	12	21
DK101237	10	21
DK101237	13	21
DK101238	1	25
DK101245	20	9
DK101251	6	15
DK101252	11	15
DK101253	9	11
DK101255	6	18
DK101256	20	16
DK101275	6	21
DK101276	7	21
DK101248	7	6
DK101317	3	20
DK101318	4	20
DK101325	1	1
DK101325	1	2
DK101326	6	3
DK101327	7	3
DK101328	4	5
DK101329	6	5
DK101330	5	4
DK101338	12	19
DK101356	20	19
DK101360	27	16
DK101361	8	10
DK101362	5	10
DK111004	1	26
DK111006	12	26
DK111008	13	26
DK111009	11	28
DK111010	7	22
DK111027	9	26
DK111028	26	27
DK111029	3	26
DK121009	8	22
DK121012	1	22
DK121019	4	22
DK121020	1	20
DK121021	5	20
DK141005	20	51
DK141006	19	51
DK141007	18	51
DK141009	14	50
DK141010	15	50

## PART INDEX

Part No.	Figure No.	Page No.
DK141014	1	50
DK141015	11	49
DK151001	1	36
DK151003	3	36
DK151005	11	40
DK151006	2	36
DK151007	4	36
DK151008	13	37
DK151009	7	40
DK151013	12	40
DK151015	13	40
DK151017	17	41
DK151022	5	40
DK151024	1	40
DK151026	5	36
DK151027	7	37
DK151028	3	37
DK151030	1	42
DK151031	2	42
DK151032	3	42
DK151033	4	42
DK151034	5	42
DK151036	24	41
DK151038	12	42
DK161069	3	56
DK161070	6	58
DK161071	7	58
DK161072	8	58
DK161073	10	58
DK161077	15	58
DK161078	1	58
DK161081	3	58
DK161082	4	58
DK161085	6	34
DK161086	3	34
DK161096	1	29
DK161098	1	34
DK161122	1	35
DK161123	8	49
DK161124	9	49
DK161126	5	58
DK161127	16	29
DK161128	17	29
DK161136	6	35
DK161137	1	33

Part No.	Figure No.	Page No.
DK161138	2	33
DK161142	1	55
DK161147	6	64
DK161148	7	64
DK161153	3	60
DK161159	5	29
DK161160	6	29
DK161161	12	29
DK161167	21	59
DK161168	22	59
DK161176	14	58
DK161176	4	64
DK161184	1	30
DK161185	1	52
DK161190	13	49
DK161199	3	55
DK171001	1	31
DK171002	4	31
DK171003	9	31
DK171006	6	31
DK181001	1	46
DK181004	3	46
DK181005	4	46
DK181011	9	46
DK181013	10	46
DK181016	15	46
DK181018	16	47
DK181022	12	46
DK181023	13	46
DK181024	24	47
DK181025	25	47
DK181026	26	47
DK181027	18	47
DK181030	1	44
DK181032	3	44
DK181034	4	50
DK181036	22	45
DK181045	8	46
DK181046	23	45
DK181047	24	45
DK191009	1	53
DK191011	2	54
DK191012	1	43
DK191013	9	43
DK191014	7	61

Part No.	Figure No.	Page No.	Part No.	Figure No.	Page No.
DK191016	4	44	DK7303X3	4	48
DK201001	18	27	DK74012T	7	49
DK201002	5	61	DK74012V	7	49
DK201003	1	60	DK74013A	7	49
DK201015	19	45	DK7401X3	7	49
DK201016	12	62	DK74022T	5	49
DK201024	7	60	DK74022V	5	49
DK201026	18	62	DK74023A	5	49
DK201027	7	50	DK7402X3	5	49
DK201028	15	62	DL181010	6	56
DK201031	11	37	DL191014	10	44
DK201033	6	44	DP161144	12	60
DK201034	7	44	DP161145	9	60
DK201036	19	27	DS101084	7	1
DK201037	1	61	DS101096	5	1
DK201038	2	61	DS101154	5	6
DK201039	7	57	DS101166	4	1
DK201043	9	56	DS101215	8	15
DK201047	16	62	DS101276	6	4
DK201050	1	57	DS101333	3	3
DK201051	2	57	DS101335	1	3
DK201056	1	56	DS101336	2	3
DK201061	3	54	DS101353	9	15
DK201062		61	DS101353	12	28
DK211001	1	24	DS101366	8	3
DK211004	4	24	DS151073	15	40
DK211008	5	24	DS151074	14	40
DK221001	19	59	DS181077	7	46
DK221002	17	59	DS211005	2	24
DK221003	18	59	DU101063	10	3
DK221005	1	64	DV101042	2	17
DK221006	2	64	DV101048	22	9
DK71012T	1	48	DX161067	6	32
DK71012V	1	48	GH201012	5	57
DK71013A	1	48	JC101017	4	21
DK7101X3	1	48			
DK73012T	2	48			
DK73012V	2	48			
DK73022T	3	48			
DK73022V	3	48			
DK73023A	3	48			
DK7302X3	3	48			
DK73032T	4	48			
DK73032V	4	48			
DK73033A	4	48			